

NOTES:

1. STANDARD GLAZING OPTION - .125" MINIMUM DSB GLAZING MEETS UNIFORM STATIC DESIGN PRESSURES SHOWN ON THIS DRAWING. GLAZING SHALL HAVE A MAXIMUM HEIGHT OF 6.70" AND A MAXIMUM LENGTH OF 24.00". GLAZING IS NOT IMPACT RESISTANT AND DOES NOT MEET THE REQUIREMENTS FOR WIND-BORNE DEBRIS REGIONS.

2. ALUMINUM FULL VIEW OPTION - ALUMINUM FULL VIEW SECTION MAY REPLACE ANY SECTION EXCEPT TOP AND BOTTOM PANELS. ALUMINUM FULL VIEW SECTION SHALL HAVE RAILS AND STILES OF EXTRUDED ALUMINUM ALLOY 6063-T6 WITH A 2-1/4" INTEGRAL FIN AND .125" MINIMUM DSB GLAZING INSTALLED WITH ALUMINUM RETAINERS IN ORDER TO MEET UNIFORM STATIC DESIGN PRESSURES SHOWN ON THIS DRAWING. GLAZING IS NOT IMPACT RESISTANT AND DOES NOT MEET THE REQUIREMENTS FOR WIND-BORNE DEBRIS REGIONS.

3. MINIMUM OF 1" OVERLAP ON BOTH JAMBS REQUIRED TO MEET NEGATIVE DESIGN PRESSURES.

4. SLIDE LOCKS OR OPERATOR REQUIRED.

5. SECTION STEEL TO HAVE THE FOLLOWING MINIMUM THICKNESS:
 C20 - 20 GA
 C24 - 24 GA
 C2400 - 25 GA

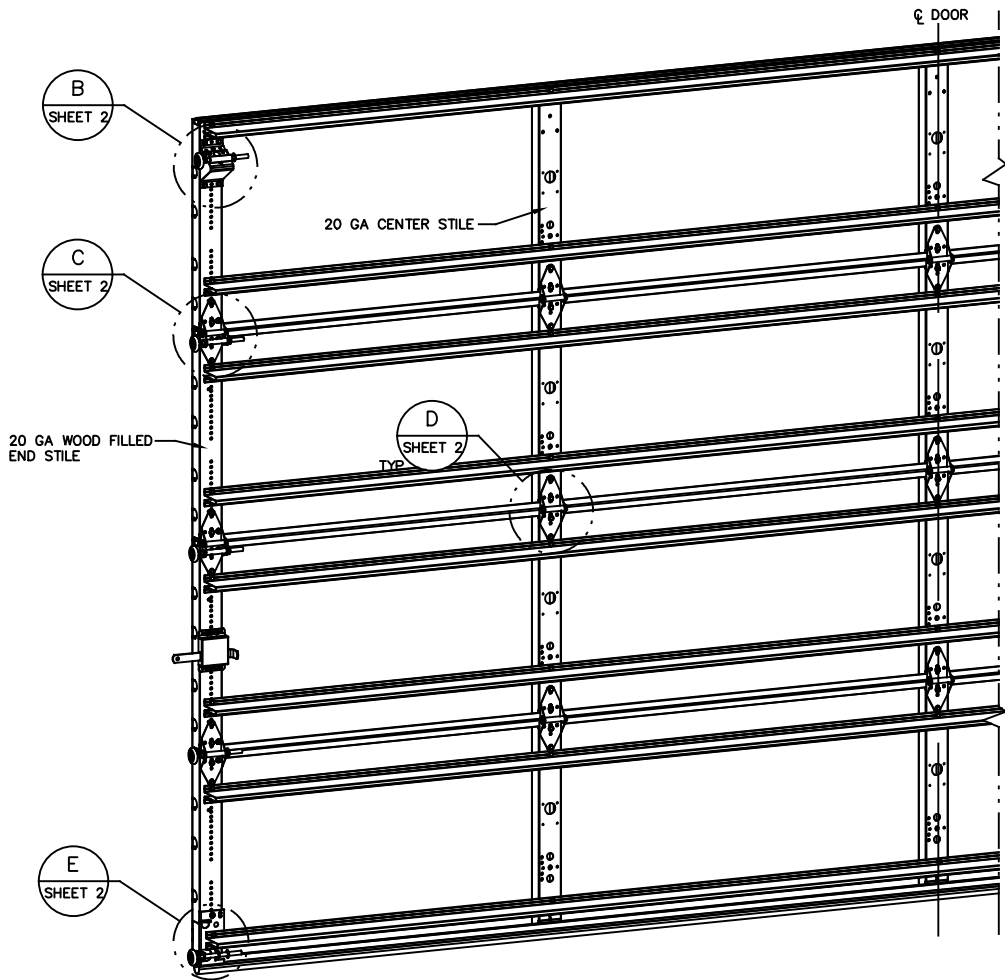
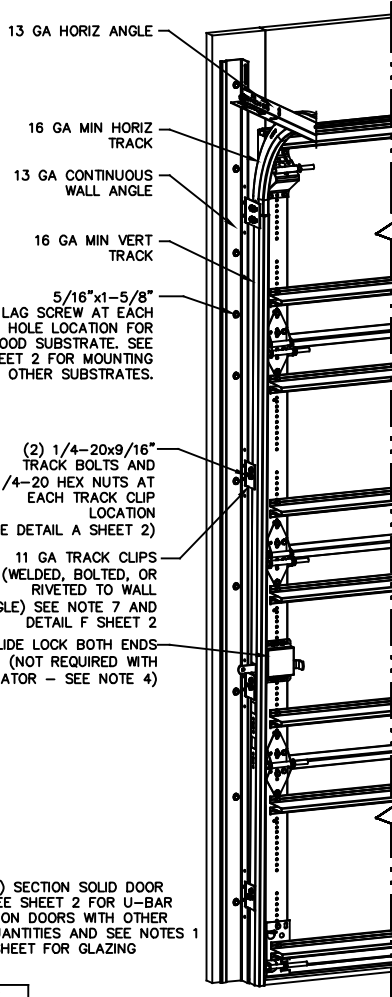
6. THE DESIGN OF THE SUPPORTING STRUCTURAL ELEMENTS SHALL BE THE RESPONSIBILITY OF THE PROFESSIONAL OF RECORD FOR THE BUILDING OR STRUCTURE AND IN ACCORDANCE WITH CURRENT BUILDING CODES FOR THE LOADS LISTED ON THIS DRAWING.

7. WHEN MOUNTING TO WOOD, DOOR JAMB TO BE MINIMUM 2x6 STRUCTURAL GRADE LUMBER. REFER TO JAMB CONNECTION SUPPLEMENT FOR ATTACHMENT TO SUPPORTING STRUCTURE.

8. STATIC WINDLOAD DESIGNS ARE BASED UPON ENGINEERING ANALYSIS AND ARE NOT FBC/TDI 3RD PARTY CERTIFIED

- (2) 1/4-20x9/16" TRACK BOLTS AND 1/4-20 HEX NUTS AT EACH TRACK CLIP LOCATION (SEE DETAIL A SHEET 2)
- 11 GA TRACK CLIPS (WELDED, BOLTED, OR RIVETED TO WALL ANGLE) SEE NOTE 7 AND DETAIL F SHEET 2
- SLIDE LOCK BOTH ENDS (NOT REQUIRED WITH OPERATOR - SEE NOTE 4)

NOTE: (4) SECTION SOLID DOOR SHOWN. SEE SHEET 2 FOR U-BAR LOCATIONS ON DOORS WITH OTHER SECTION QUANTITIES AND SEE NOTES 1 & 2 THIS SHEET FOR GLAZING OPTIONS.



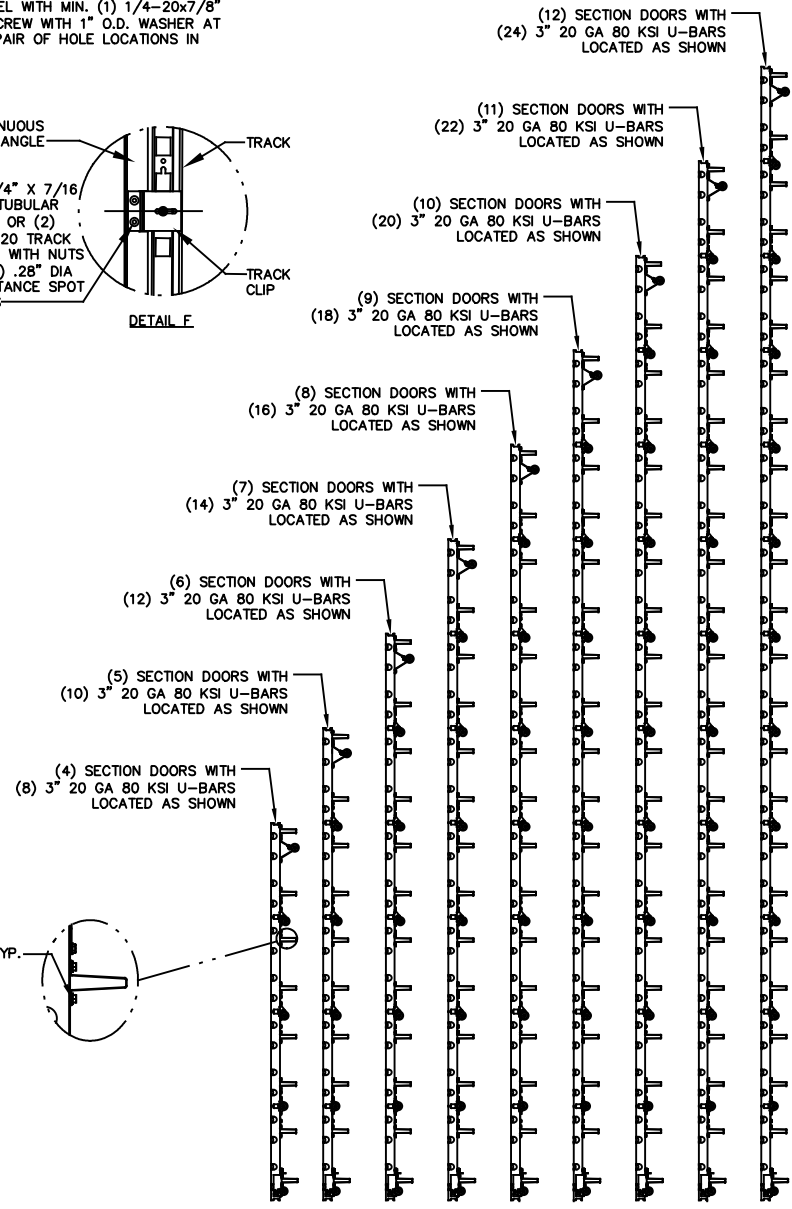
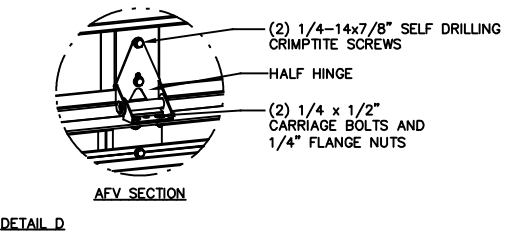
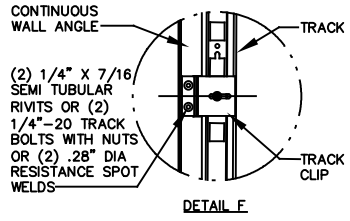
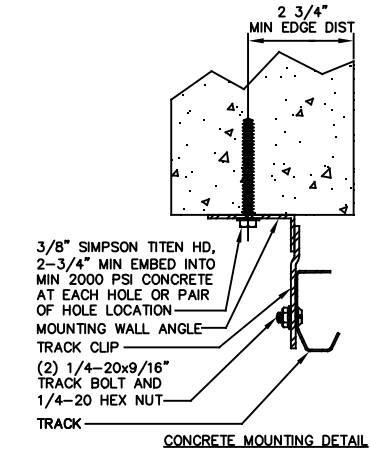
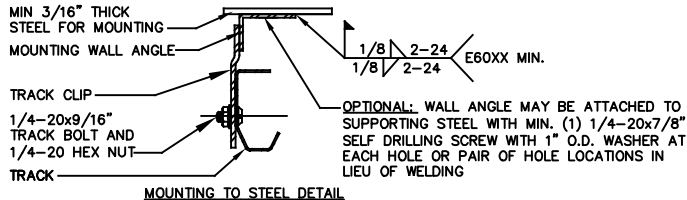
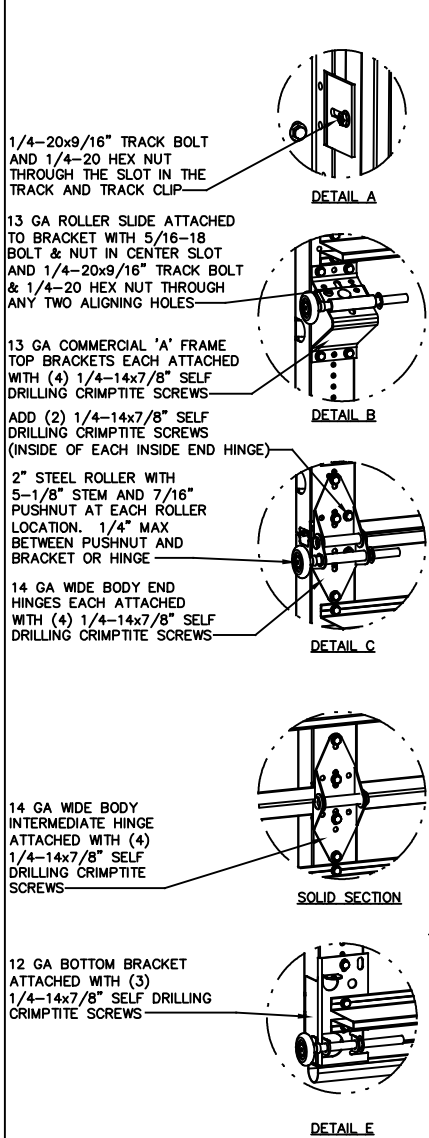
REVISIONS
 P00 CREATED DRAWING FOR WINDLOAD CODE 2213 3/11/19 G CLARK

SUPERIMPOSED DESIGN PRESSURE LOADS ON SUPPORTING STRUCTURE		
MAX DOOR WIDTH	DOOR HEIGHT	MAX UNIFORM LOAD EACH JAMB (PLF)
16'-2"	ALL	+163.3/-183.5

WAYNE DALTON GARAGE DOORS

A DIVISION OF OVERHEAD DOOR CORP
 5511 S.E. 26th AVENUE
 PORTLAND, OR 97202
 (503)234-0941

STATIC PRESSURE RATINGS		APPROVED SIZES		SCALE: N.T.S.		SIZE: A	
DESIGN (PSF):	+20.20/-22.70	MAX WIDTH:	16'-2"	DATE	3/11/19	NAME	GAC
TEST (PSF):		MAX HEIGHT:	24'-1"	DRAWN			
IMPACT/CYCLIC RATED (YES/NO): NO		MAX SECTION HEIGHT: 24"	CHECKED				
MODELS C20/C24/C2400						SHEET 1 OF 2	
WINDLOAD SPECIFICATION OPTION CODE 2316						DRAWING PART NO. 364562	REV. P00



<p>WAYNE DALTON GARAGE DOORS</p> <p>A DIVISION OF OVERHEAD DOOR CORP 5511 S.E. 26th AVENUE PORTLAND, OR 97202 (503)234-0941</p>	STATIC PRESSURE RATINGS		APPROVED SIZES		SCALE: N.T.S.		SIZE: A	
	DESIGN (PSF):	+20.20/-22.70	MAX WIDTH:	16'-2"	DATE	NAME		
	TEST (PSF):		MAX HEIGHT:	24'-1"	DRAWN	GAC		
	IMPACT/CYCLIC RATED (YES/NO): NO		MAX SECTION HEIGHT: 24'		CHECKED			
	MODELS C20/C24/C2400					SHEET 2 OF 2		
WINDLOAD SPECIFICATION OPTION CODE 2316					DRAWING PART NO.		REV.	
					364562		P00	