

**NOTES:**

1. STANDARD GLAZING OPTION - .125" MINIMUM DSB GLAZING MEETS UNIFORM STATIC DESIGN PRESSURES SHOWN ON THIS DRAWING. GLAZING SHALL HAVE A MAXIMUM HEIGHT OF 6.70" AND A MAXIMUM LENGTH OF 24.00". GLAZING IS NOT IMPACT RESISTANT AND DOES NOT MEET THE REQUIREMENTS FOR WIND-BORNE DEBRIS REGIONS.

2. ALUMINUM FULL VIEW OPTION - ALUMINUM FULL VIEW SECTION MAY REPLACE ANY SECTION EXCEPT TOP AND BOTTOM PANELS. ALUMINUM FULL VIEW SECTION SHALL HAVE RAILS AND STILES OF EXTRUDED ALUMINUM ALLOY 6063-T6 WITH A 2" INTEGRAL FIN AND .125" MINIMUM DSB GLAZING INSTALLED WITH ALUMINUM RETAINERS IN ORDER TO MEET UNIFORM STATIC DESIGN PRESSURES SHOWN ON THIS DRAWING. GLAZING IS NOT IMPACT RESISTANT AND DOES NOT MEET THE REQUIREMENTS FOR WIND-BORNE DEBRIS REGIONS.

3. MINIMUM OF 1" OVERLAP ON BOTH JAMBS REQUIRED TO MEET NEGATIVE DESIGN PRESSURES.

4. SLIDE LOCKS OR OPERATOR REQUIRED.

5. SECTION STEEL TO HAVE THE FOLLOWING MINIMUM THICKNESS:

C20 - 20 GA  
C24 - 24 GA  
C2400 - 25 GA

6. THE DESIGN OF THE SUPPORTING STRUCTURAL ELEMENTS SHALL BE THE RESPONSIBILITY OF THE PROFESSIONAL OF RECORD FOR THE BUILDING OR STRUCTURE AND IN ACCORDANCE WITH CURRENT BUILDING CODES FOR THE LOADS LISTED ON THIS DRAWING.

7. WHEN MOUNTING TO WOOD, DOOR JAMB TO BE MINIMUM 2x6 STRUCTURAL GRADE LUMBER. REFER TO JAMB CONNECTION SUPPLEMENT FOR ATTACHMENT TO SUPPORTING STRUCTURE.

8. STATIC WINDLOAD DESIGNS ARE BASED UPON ENGINEERING ANALYSIS AND ARE NOT FBC/TDI 3RD PARTY CERTIFIED

13 GA HORIZ ANGLE  
16 GA MIN HORIZ TRACK  
13 GA CONTINUOUS WALL ANGLE  
16 GA MIN VERT TRACK  
5/16"x1-5/8" LAG SCREW AT EACH HOLE LOCATION FOR WOOD SUBSTRATE. SEE SHEET 2 FOR MOUNTING TO OTHER SUBSTRATES.

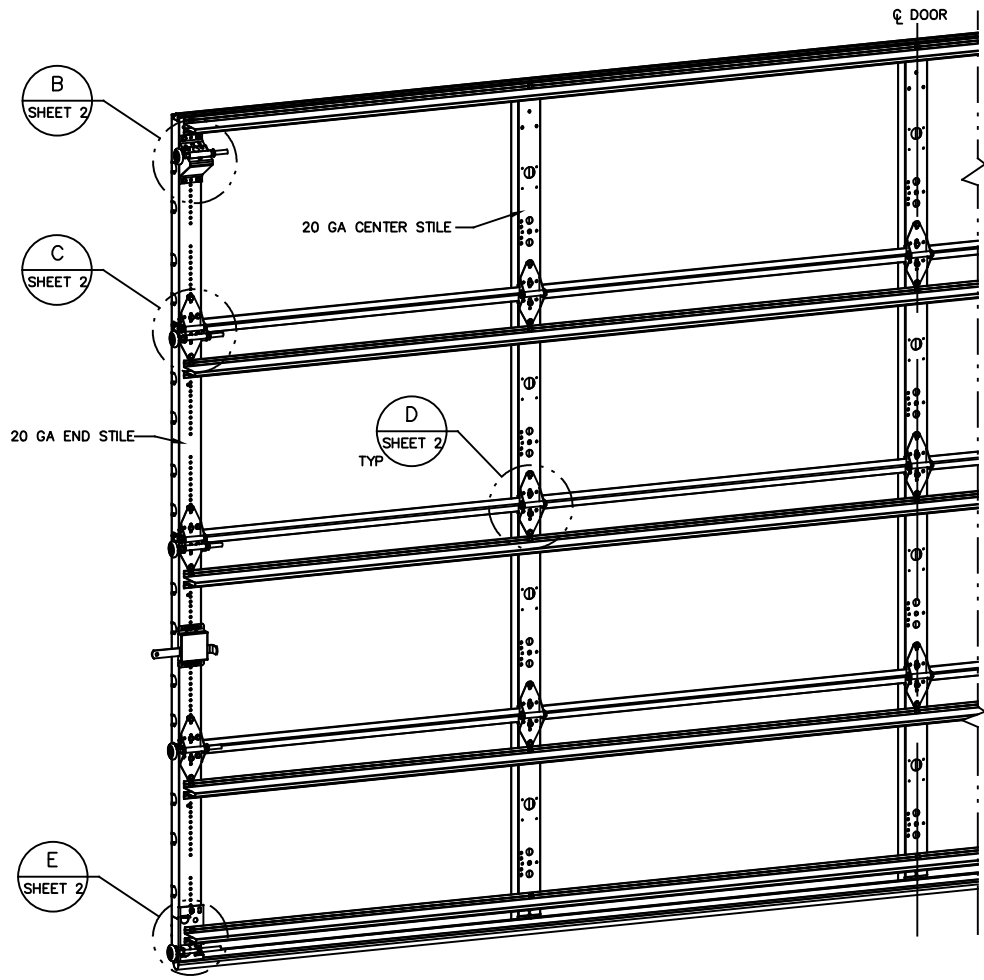
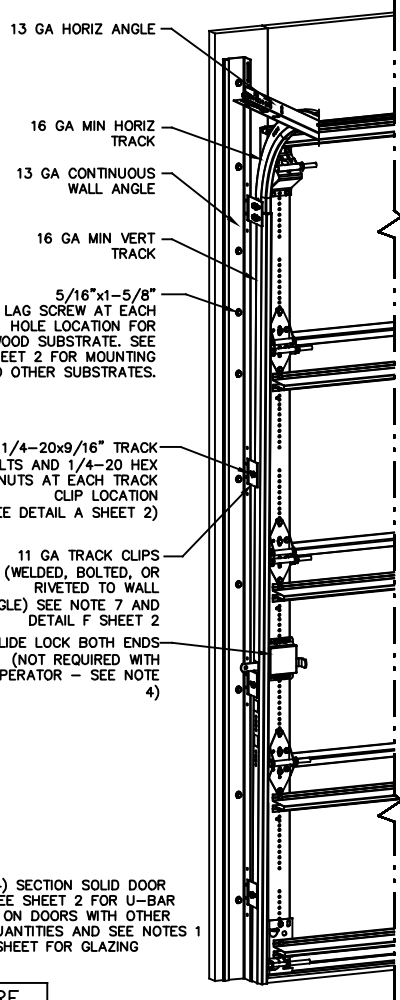
1/4"-20x9/16" TRACK BOLTS AND 1/4"-20 HEX NUTS AT EACH TRACK CLIP LOCATION (SEE DETAIL A SHEET 2)

11 GA TRACK CLIPS (WELDED, BOLTED, OR RIVETED TO WALL ANGLE) SEE NOTE 7 AND DETAIL F SHEET 2  
SLIDE LOCK BOTH ENDS (NOT REQUIRED WITH OPERATOR - SEE NOTE 4)

NOTE: (4) SECTION SOLID DOOR SHOWN. SEE SHEET 2 FOR U-BAR LOCATIONS ON DOORS WITH OTHER SECTION QUANTITIES AND SEE NOTES 1 & 2 THIS SHEET FOR GLAZING OPTIONS.

**SUPERIMPOSED DESIGN PRESSURE LOADS ON SUPPORTING STRUCTURE**

MAX DOOR WIDTH	DOOR HEIGHT	MAX UNIFORM LOAD EACH JAMB (PLF)
16'-2"	ALL	+92.2/-102.7



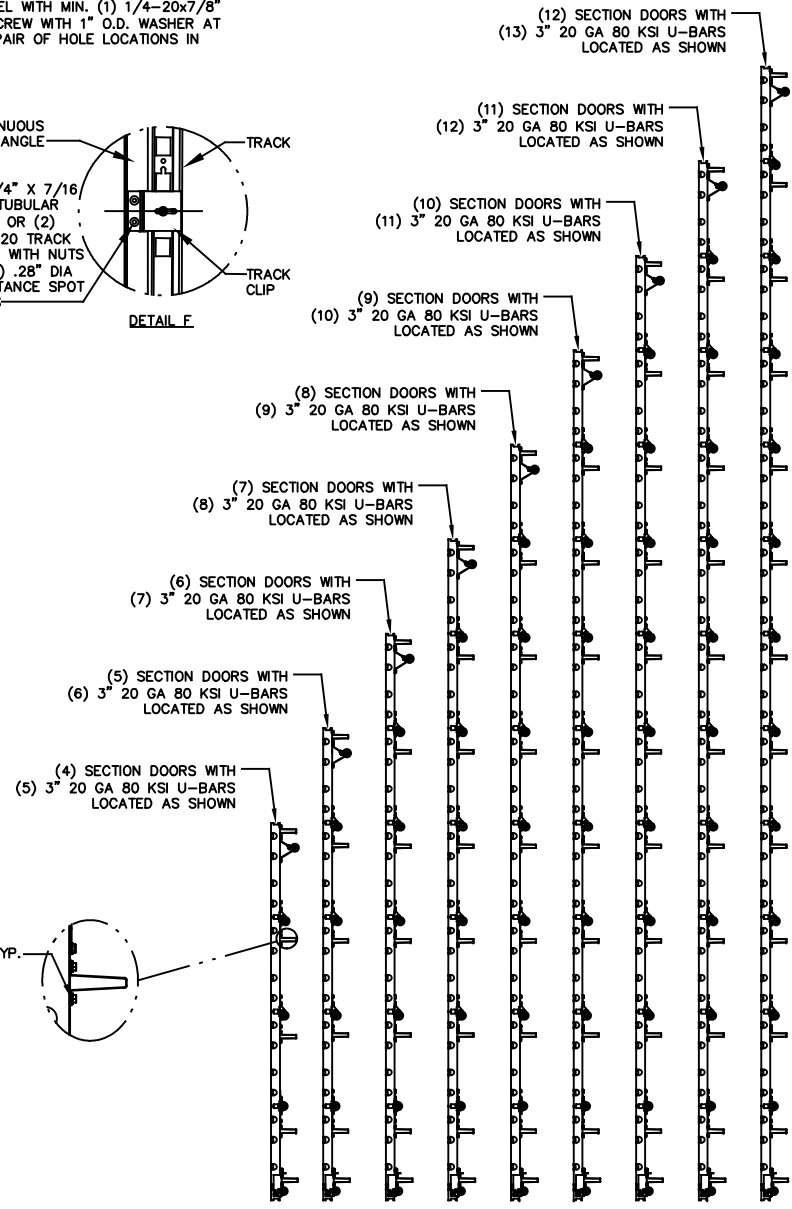
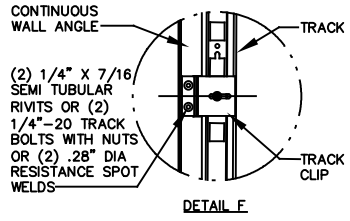
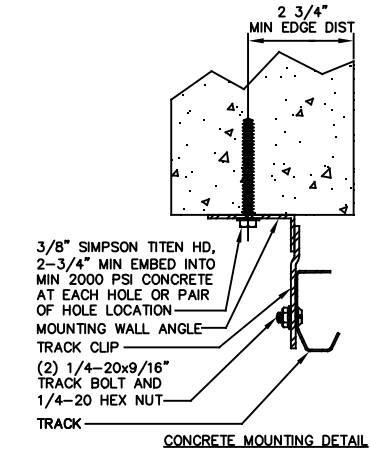
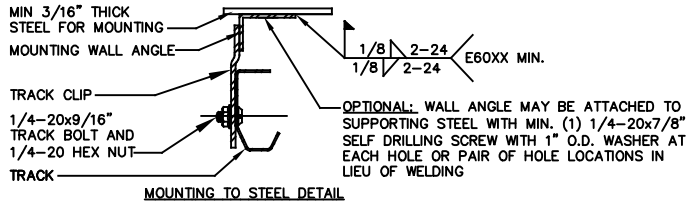
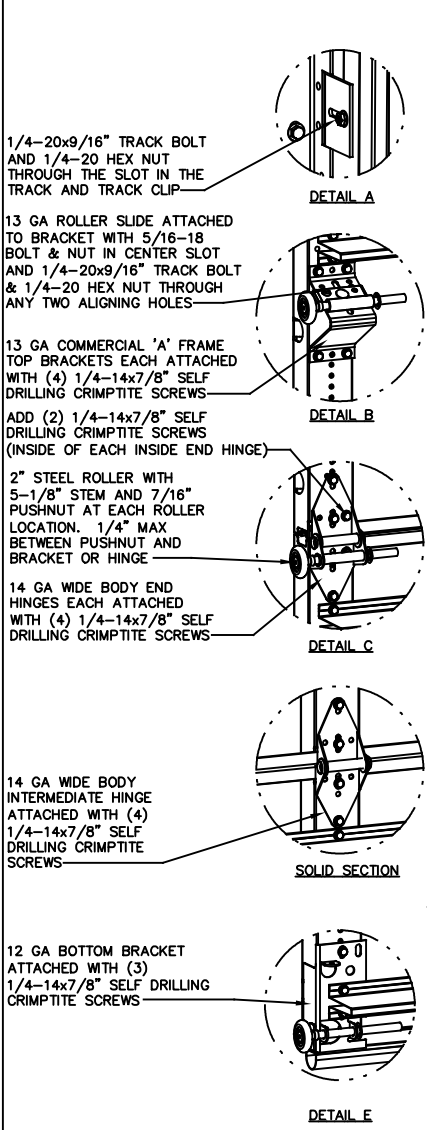
**REVISIONS**

P00	CREATED DRAWING FOR WINDLOAD CODE 2212 3/11/19 G CLARK
-----	--

**Wayne Dalton**  
GARAGE DOORS™

A DIVISION OF OVERHEAD DOOR CORP  
5511 S.E. 26th AVENUE  
PORTLAND, OR 97202  
(503)234-0941

STATIC PRESSURE RATINGS		APPROVED SIZES		SCALE: N.T.S.		SIZE: A	
DESIGN (PSF):	+11.40/-12.70	MAX WIDTH:	16'-2"	DATE		NAME	
TEST (PSF):		MAX HEIGHT:	24'-1"	DRAWN	3/11/19	GAC	
IMPACT/CYCLIC RATED (YES/NO): NO		MAX SECTION HEIGHT: 24"	CHECKED				
MODELS C20/C24/C2400				SHEET 1 OF 2			
WINDLOAD SPECIFICATION OPTION CODE 2314				DRAWING PART NO.	364560	REV.	P00



<p>WAYNE DALTON GARAGE DOORS</p> <p>A DIVISION OF OVERHEAD DOOR CORP 5511 S.E. 26th AVENUE PORTLAND, OR 97202 (503)234-0941</p>	STATIC PRESSURE RATINGS		APPROVED SIZES		SCALE: N.T.S.		SIZE: A	
	DESIGN (PSF): +11.40/-12.70		MAX WIDTH: 16'-2"		DATE		NAME	
	TEST (PSF):		MAX HEIGHT: 24'-1"		DRAWN		GAC	
	IMPACT/CYCLIC RATED (YES/NO): NO		MAX SECTION HEIGHT: 24"		CHECKED			
	MODELS C20/C24/C2400						SHEET 2 OF 2	
WINDLOAD SPECIFICATION OPTION CODE 2314						DRAWING PART NO.		REV.
						364560		P00