

NOTES:

1. STANDARD GLAZING OPTION - .125" MINIMUM DSB GLAZING MEETS UNIFORM STATIC DESIGN PRESSURES SHOWN ON THIS DRAWING. GLAZING SHALL HAVE A MAXIMUM HEIGHT OF 6.70" AND A MAXIMUM LENGTH OF 24.00". GLAZING IS NOT IMPACT RESISTANT AND DOES NOT MEET THE REQUIREMENTS FOR WIND-BORNE DEBRIS REGIONS.

2. ALUMINUM FULL VIEW OPTION - ALUMINUM FULL VIEW SECTION MAY REPLACE ANY SECTION EXCEPT TOP AND BOTTOM PANELS. ALUMINUM FULL VIEW SECTION SHALL HAVE RAILS AND STILES OF EXTRUDED ALUMINUM ALLOY 6063-T6 WITH A 2-1/4" INTEGRAL FIN AND .125" MINIMUM DSB GLAZING INSTALLED WITH ALUMINUM RETAINERS IN ORDER TO MEET UNIFORM STATIC DESIGN PRESSURES SHOWN ON THIS DRAWING. GLAZING IS NOT IMPACT RESISTANT AND DOES NOT MEET THE REQUIREMENTS FOR WIND-BORNE DEBRIS REGIONS.

3. MINIMUM OF 1" OVERLAP ON BOTH JAMBS REQUIRED TO MEET NEGATIVE DESIGN PRESSURES.

4. SLIDE LOCK OR OPERATOR REQUIRED.

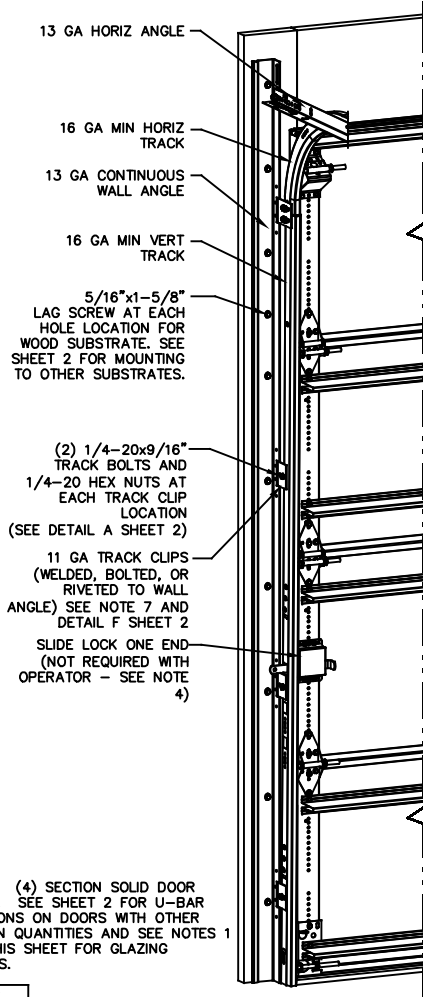
5. SECTION STEEL TO HAVE THE FOLLOWING MINIMUM THICKNESS:

- C20 - 20 GA
- C24 - 24 GA
- C2400 - 25 GA

6. THE DESIGN OF THE SUPPORTING STRUCTURAL ELEMENTS SHALL BE THE RESPONSIBILITY OF THE PROFESSIONAL OF RECORD FOR THE BUILDING OR STRUCTURE AND IN ACCORDANCE WITH CURRENT BUILDING CODES FOR THE LOADS LISTED ON THIS DRAWING.

7. WHEN MOUNTING TO WOOD, DOOR JAMB TO BE MINIMUM 2x6 STRUCTURAL GRADE LUMBER. REFER TO JAMB CONNECTION SUPPLEMENT FOR ATTACHMENT TO SUPPORTING STRUCTURE.

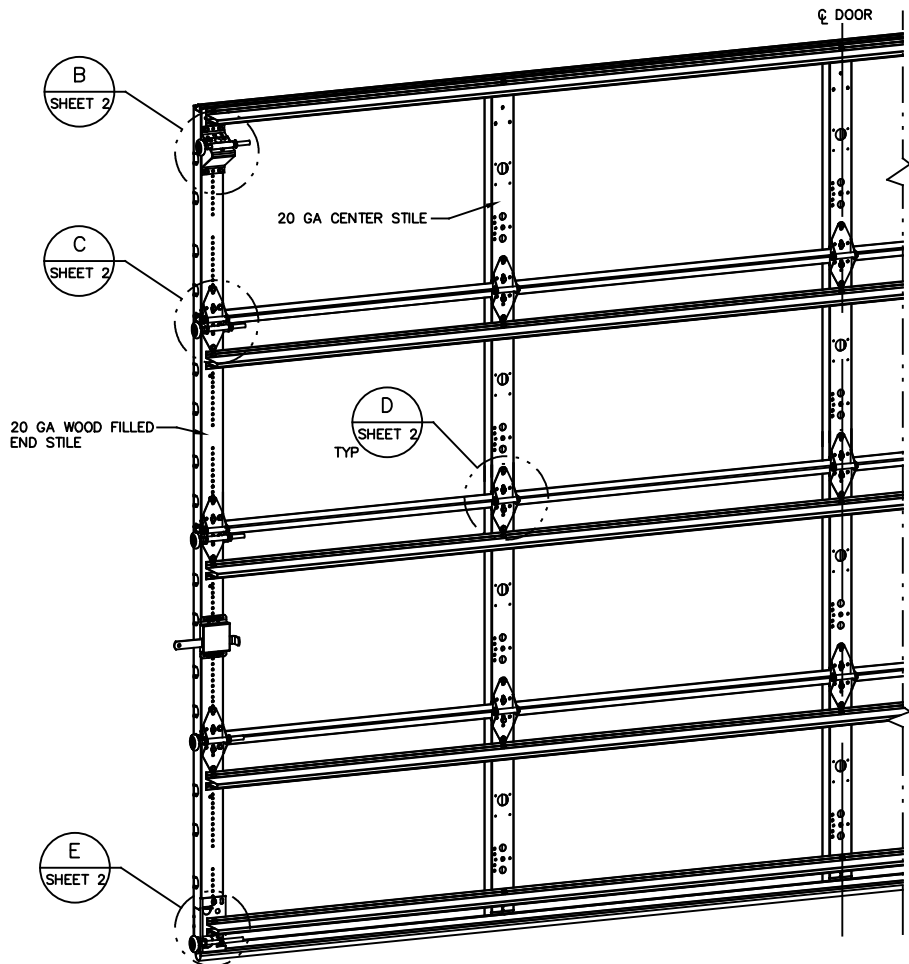
8. STATIC WINDLOAD DESIGNS ARE BASED UPON ENGINEERING ANALYSIS AND ARE NOT FBC/TDI 3RD PARTY CERTIFIED



NOTE: (4) SECTION SOLID DOOR SHOWN. SEE SHEET 2 FOR U-BAR LOCATIONS ON DOORS WITH OTHER SECTION QUANTITIES AND SEE NOTES 1 & 2 THIS SHEET FOR GLAZING OPTIONS.

SUPERIMPOSED DESIGN PRESSURE LOADS ON SUPPORTING STRUCTURE

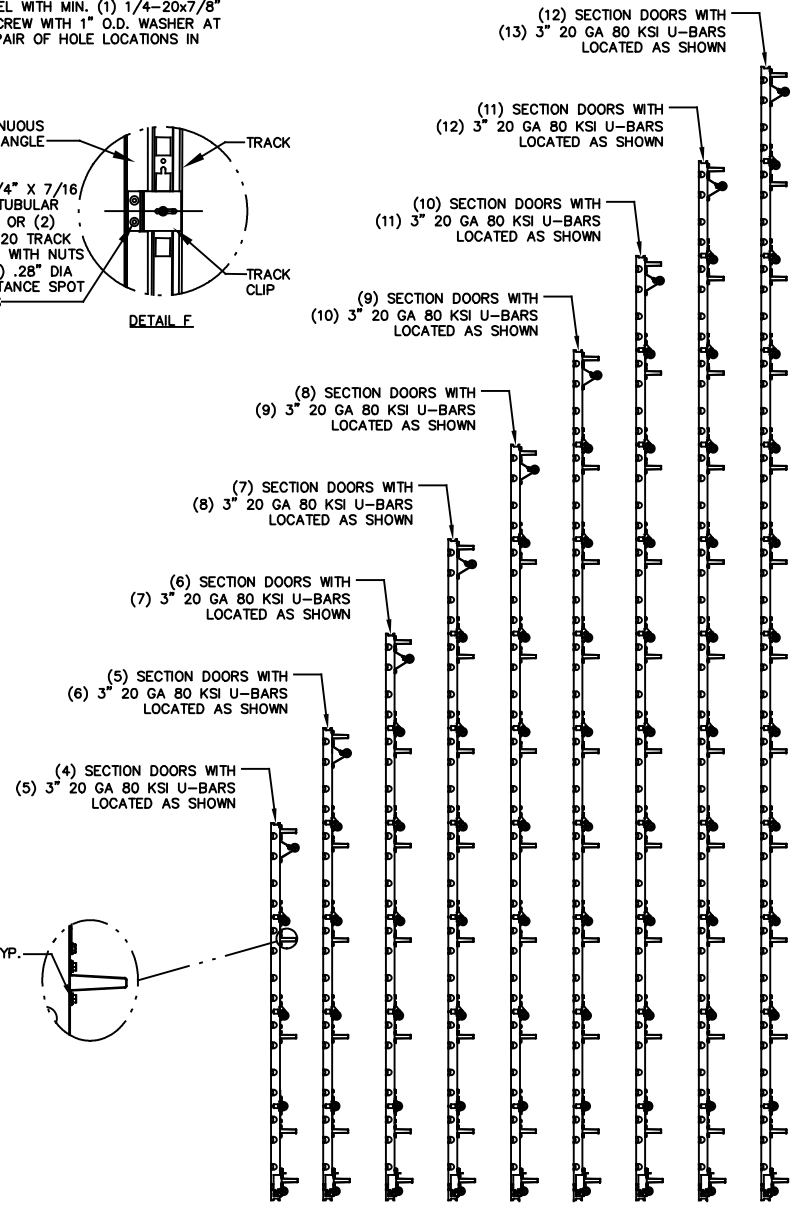
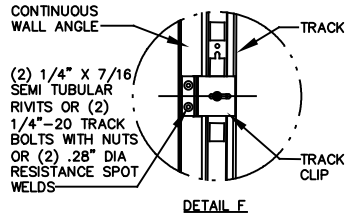
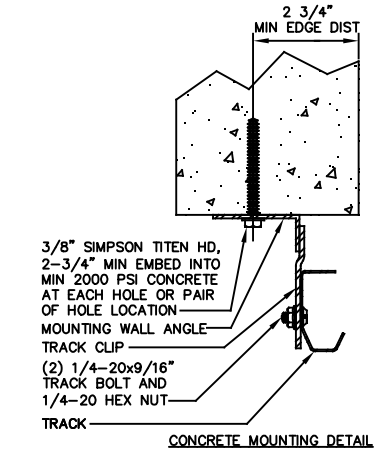
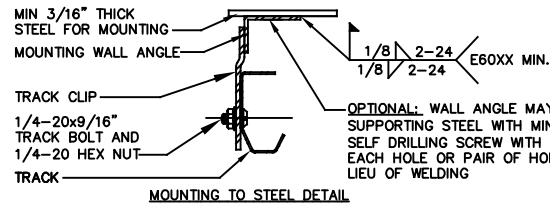
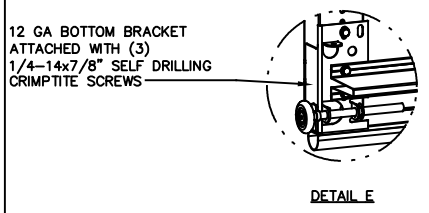
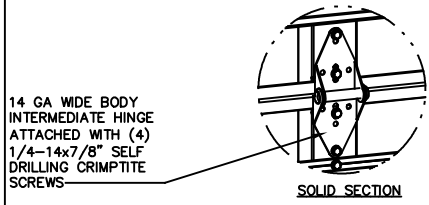
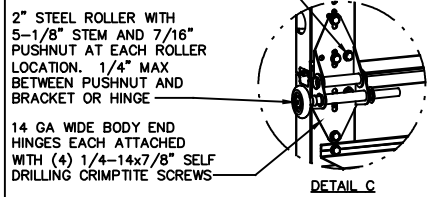
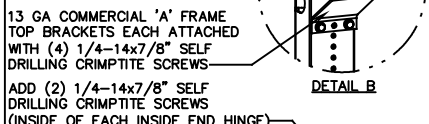
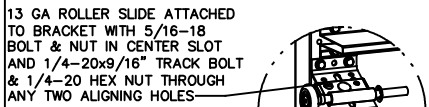
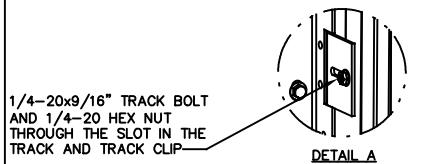
MAX DOOR WIDTH	DOOR HEIGHT	MAX UNIFORM LOAD EACH JAMB (PLF)
14'-2"	ALL	+143.1/-160.8



REVISIONS

P00 CREATED DRAWING FOR WINDLOAD CODE 2211 3/11/19 G CLARK

<p>Wayne Dalton GARAGE DOORS™</p> <p>A DIVISION OF OVERHEAD DOOR CORP 5511 S.E. 26th AVENUE PORTLAND, OR 97202 (503)234-0941</p>	<p>STATIC PRESSURE RATINGS</p> <p>DESIGN (PSF): +13.0/-14.50</p> <p>TEST (PSF):</p> <p>IMPACT/CYCLIC RATED (YES/NO): NO</p>		<p>APPROVED SIZES</p> <p>MAX WIDTH: 14'-2"</p> <p>MAX HEIGHT: 24'-1"</p> <p>MAX SECTION HEIGHT: 24"</p>		<p>SCALE: N.T.S.</p> <p>DATE: 3/11/19</p> <p>CHECKED:</p>		<p>SIZE: A</p> <p>NAME: GAC</p>	
	<p>MODELS C20/C24/C2400</p>				<p>SHEET 1 OF 2</p>			
	<p>WINDLOAD SPECIFICATION OPTION CODE 2312</p>				<p>DRAWING PART NO. 364558</p>		<p>REV. P00</p>	
	<p>Wayne Dalton logo and address information repeated.</p>							



Wayne Dalton
GARAGE DOORS™

A DIVISION OF OVERHEAD DOOR CORP
5511 S.E. 26th AVENUE
PORTLAND, OR 97202
(503)234-0941

STATIC PRESSURE RATINGS		APPROVED SIZES		SCALE: N.T.S.		SIZE: A	
DESIGN (PSF):	+13.0/-14.5	MAX WIDTH:	14'-2"	DATE	NAME		
TEST (PSF):		MAX HEIGHT:	24'-1"	DRAWN	3/11/19 GAC		
IMPACT/CYCLIC RATED (YES/NO): NO		MAX SECTION HEIGHT: 24"	CHECKED				
MODELS C20/C24/C2400				SHEET 2 OF 2			
WINDLOAD SPECIFICATION OPTION CODE 2312				DRAWING PART NO.	REV.		
				364558	P00		