

NOTES:

1. STANDARD GLAZING OPTION - .125" MINIMUM DSB GLAZING MEETS UNIFORM STATIC DESIGN PRESSURES SHOWN ON THIS DRAWING. GLAZING SHALL HAVE A MAXIMUM HEIGHT OF 6.70" AND A MAXIMUM LENGTH OF 24.00". GLAZING IS NOT IMPACT RESISTANT AND DOES NOT MEET THE REQUIREMENTS FOR WIND-BORNE DEBRIS REGIONS.

2. ALUMINUM FULL VIEW OPTION - ALUMINUM FULL VIEW SECTION MAY REPLACE ANY SECTION EXCEPT TOP AND BOTTOM PANELS. ALUMINUM FULL VIEW SECTION SHALL HAVE RAILS AND STILES OF EXTRUDED ALUMINUM ALLOY 6063-T6 WITH A 2-1/4" INTRAGRAL FIN AND .125" MINIMUM DSB GLAZING INSTALLED WITH ALUMINUM RETAINERS IN ORDER TO MEET UNIFORM STATIC DESIGN PRESSURES SHOWN ON THIS DRAWING. GLAZING IS NOT IMPACT RESISTANT AND DOES NOT MEET THE REQUIREMENTS FOR WIND-BORNE DEBRIS REGIONS.

3. MINIMUM OF 1" OVERLAP ON BOTH JAMBS REQUIRED TO MEET NEGATIVE DESIGN PRESSURES.

4. SLIDE LOCK OR OPERATOR REQUIRED.

5. SECTION STEEL TO HAVE THE FOLLOWING MINIMUM THICKNESS:
 C20 - 20 GA
 C24 - 24 GA
 C2400 - 25 GA

6. THE DESIGN OF THE SUPPORTING STRUCTURAL ELEMENTS SHALL BE THE RESPONSIBILITY OF THE PROFESSIONAL OF RECORD FOR THE BUILDING OR STRUCTURE AND IN ACCORDANCE WITH CURRENT BUILDING CODES FOR THE LOADS LISTED ON THIS DRAWING.

7. WHEN MOUNTING TO WOOD, DOOR JAMB TO BE MINIMUM 2x6 STRUCTURAL GRADE LUMBER. REFER TO JAMB CONNECTION SUPPLEMENT FOR ATTACHMENT TO SUPPORTING STRUCTURE.

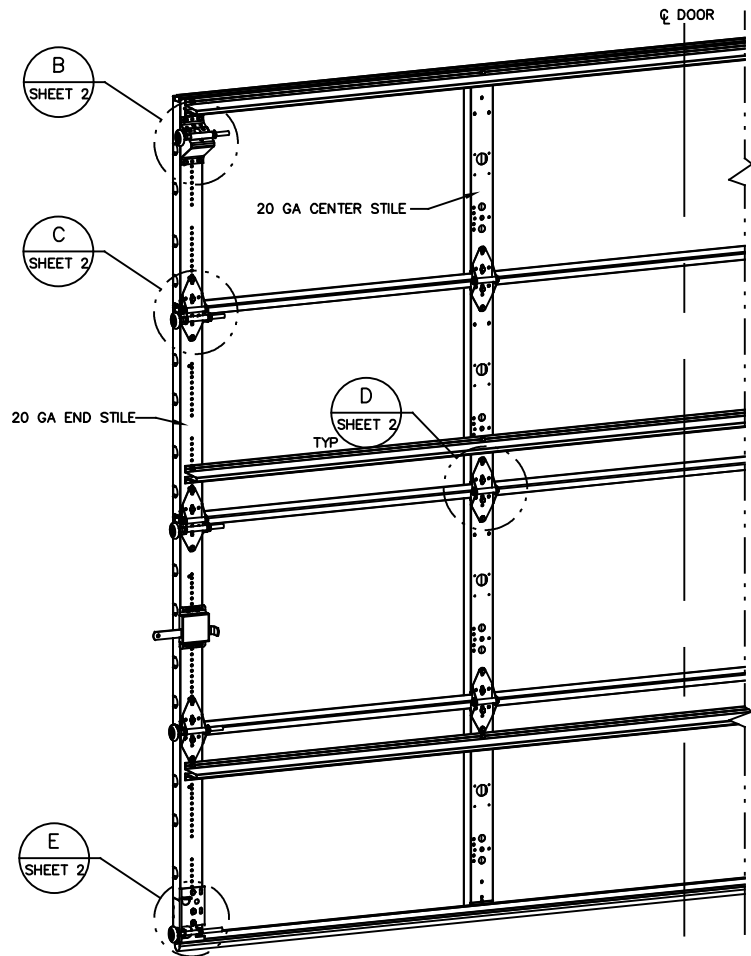
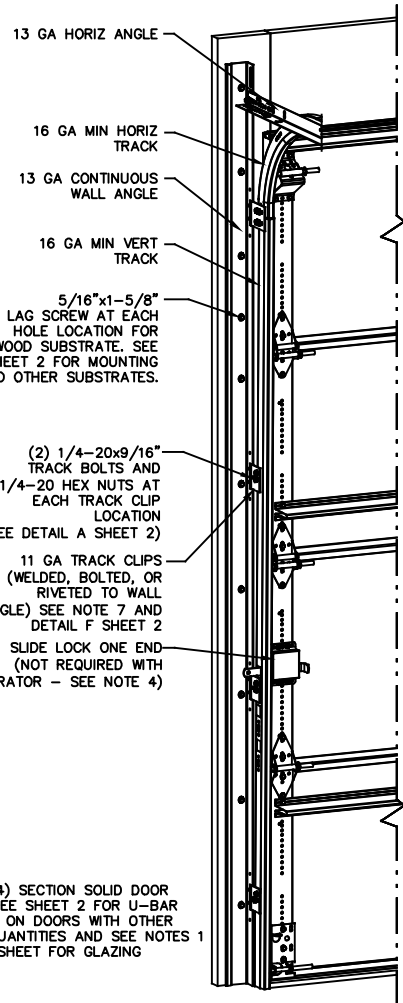
8. STATIC WINDLOAD DESIGNS ARE BASED UPON ENGINEERING ANALYSIS AND ARE NOT FBC/TDI 3RD PARTY CERTIFIED

- 13 GA HORIZ ANGLE
- 16 GA MIN HORIZ TRACK
- 13 GA CONTINUOUS WALL ANGLE
- 16 GA MIN VERT TRACK
- 5/16"x1-5/8" LAG SCREW AT EACH HOLE LOCATION FOR WOOD SUBSTRATE. SEE SHEET 2 FOR MOUNTING TO OTHER SUBSTRATES.
- (2) 1/4"-20x9/16" TRACK BOLTS AND 1/4"-20 HEX NUTS AT EACH TRACK CLIP LOCATION (SEE DETAIL A SHEET 2)
- 11 GA TRACK CLIPS (WELDED, BOLTED, OR RIVETED TO WALL ANGLE) SEE NOTE 7 AND DETAIL F SHEET 2
- SLIDE LOCK ONE END (NOT REQUIRED WITH OPERATOR - SEE NOTE 4)

NOTE: (4) SECTION SOLID DOOR SHOWN. SEE SHEET 2 FOR U-BAR LOCATIONS ON DOORS WITH OTHER SECTION QUANTITIES AND SEE NOTES 1 & 2 THIS SHEET FOR GLAZING OPTIONS.

SUPERIMPOSED DESIGN PRESSURE LOADS ON SUPPORTING STRUCTURE

MAX DOOR WIDTH	DOOR HEIGHT	MAX UNIFORM LOAD EACH JAMB (PLF)
10'-2"	ALL	+106.3/-120.0



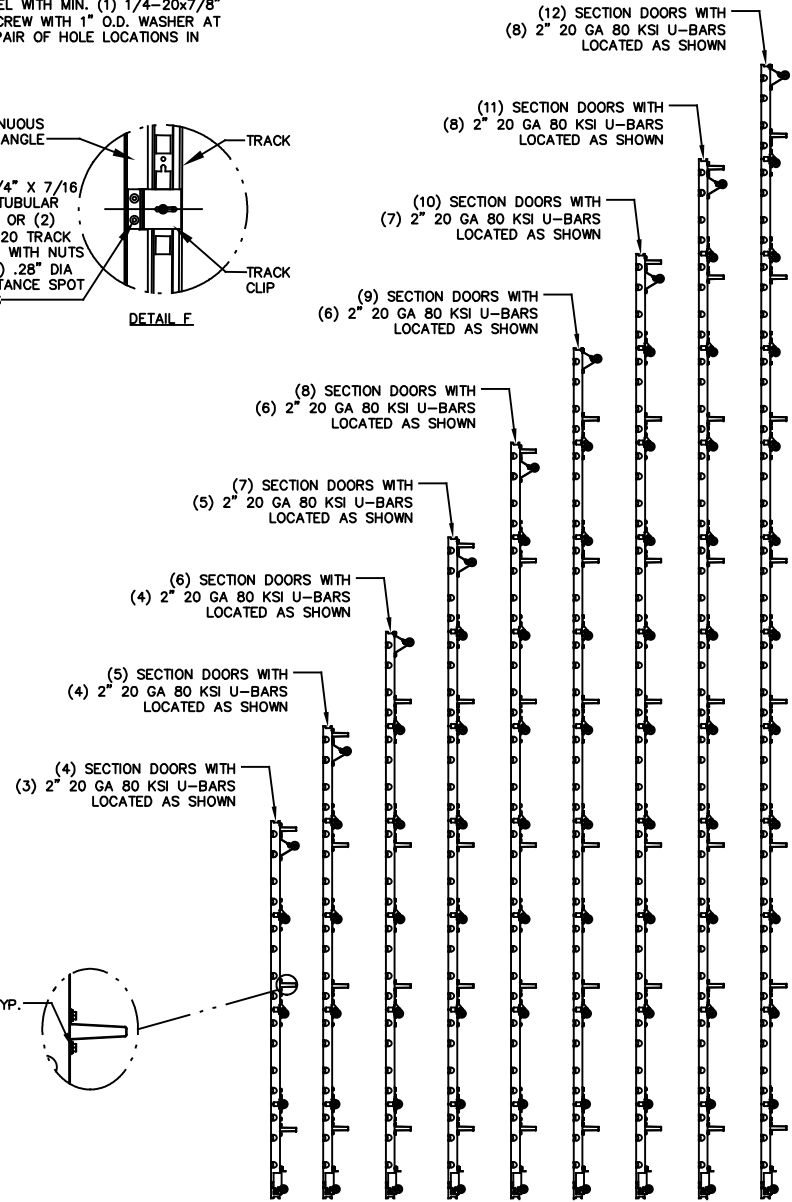
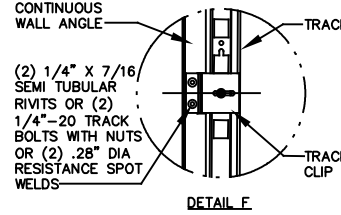
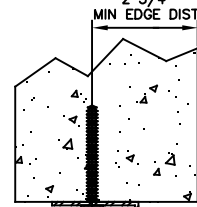
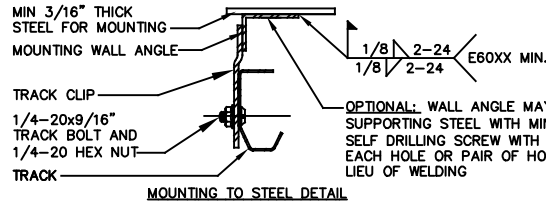
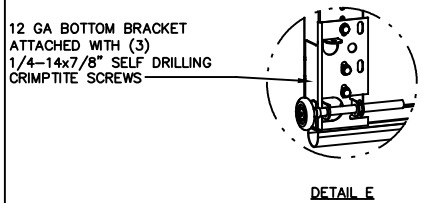
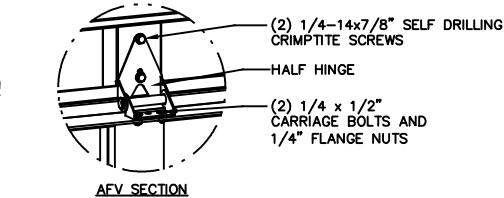
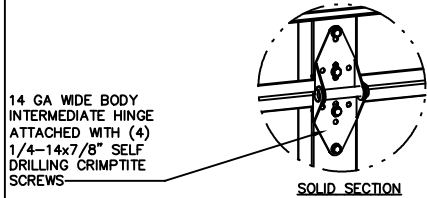
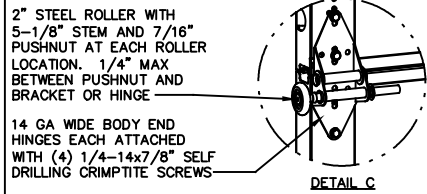
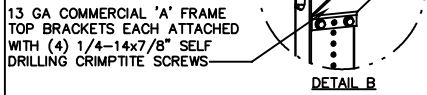
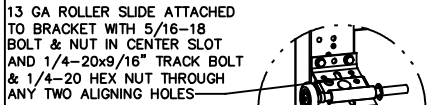
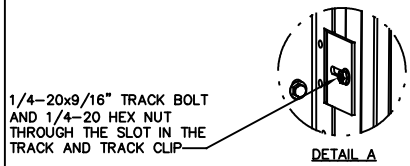
REVISIONS

P00	CREATED NEW DRAWING FOR WINDLOAD CODE 2205 3/11/19 G CLARK
-----	--

Wayne Dalton
GARAGE DOORS™

A DIVISION OF OVERHEAD DOOR CORP
5511 S.E. 26th AVENUE
PORTLAND, OR 97202
(503)234-0941

STATIC PRESSURE RATINGS		APPROVED SIZES		SCALE: N.T.S.		SIZE: A	
DESIGN (PSF):	+15.3/-17.50	MAX WIDTH:	10'-2"	DATE	3/11/19	NAME	GAC
TEST (PSF):		MAX HEIGHT:	24'-1"	DRAWN			
IMPACT/CYCLIC RATED (YES/NO): NO		MAX SECTION HEIGHT: 24"	CHECKED				
MODELS C20/C24/C2400						SHEET 1 OF 2	
WINDLOAD SPECIFICATION OPTION CODE 2305				DRAWING PART NO.		REV.	
				364551		P00	



Wayne Dalton
GARAGE DOORS™

A DIVISION OF OVERHEAD DOOR CORP
5511 S.E. 26th AVENUE
PORTLAND, OR 97202
(503)234-0941

STATIC PRESSURE RATINGS		APPROVED SIZES		SCALE: N.T.S.		SIZE: A	
DESIGN (PSF):	+15.3/-17.50	MAX WIDTH:	10'-2"	DATE	NAME		
TEST (PSF):		MAX HEIGHT:	24'-1"	DRAWN	3/11/19 GAC		
IMPACT/CYCLIC RATED (YES/NO): NO		MAX SECTION HEIGHT: 24"		CHECKED			
MODELS C20/C24/C2400				SHEET 2 OF 2			
WINDLOAD SPECIFICATION OPTION CODE 2305				DRAWING PART NO.		REV.	
				364551		P00	