

Screw Repair Instructions

Waynegard™ Series

Place the 3/16" clinching type rivet into the stripped out hole in the section. Secure the rivet to the section using an 1/8" pop rivet tool.

Screw Repair Kit:

Part #246092

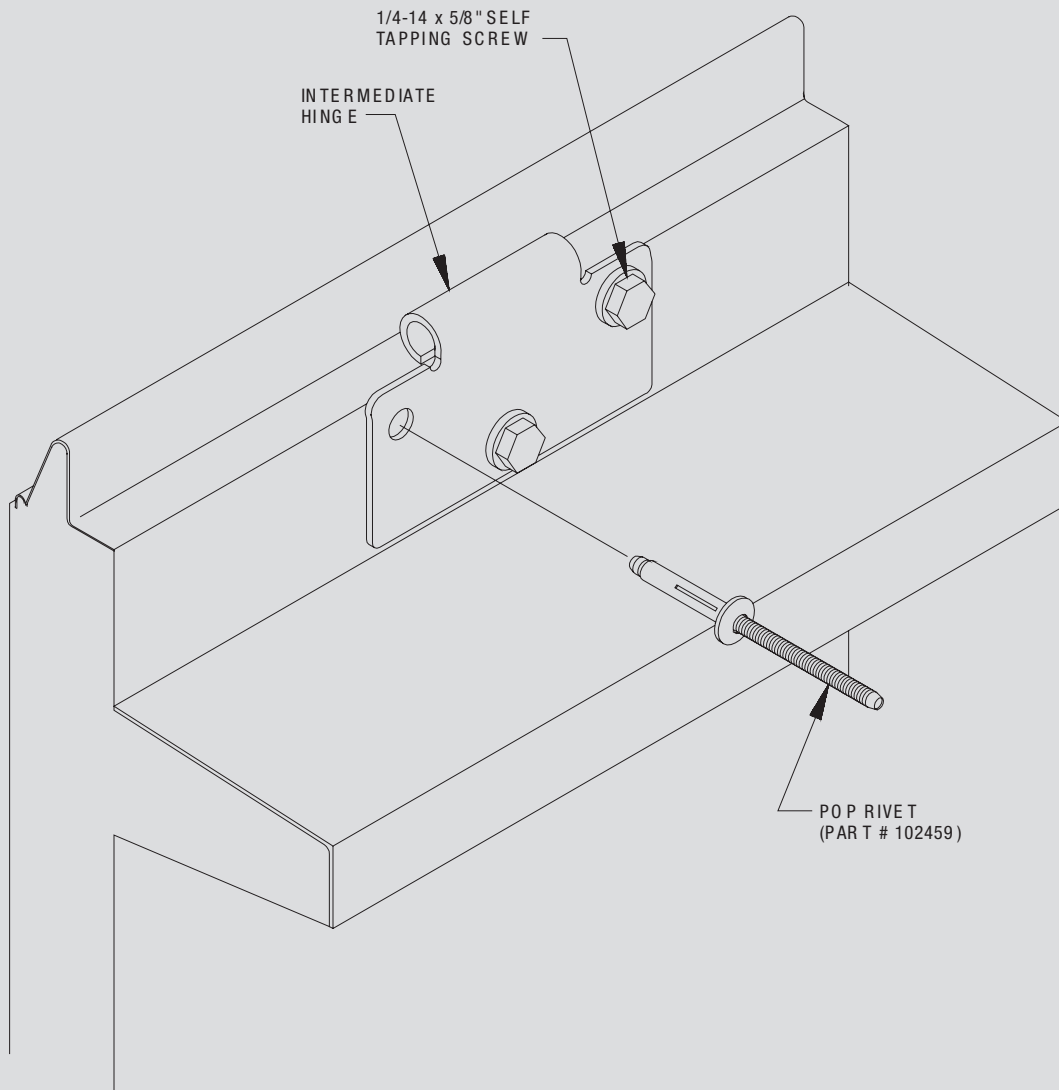


Fig. 1