

TOP HEADER SEAL INSTALLATION

Insert

P.O. Box 67 Mt. Hope, OH 44660

©Copyright 2016 Wayne-Dalton, a division of Overhead Door Corporation

Part No. 339554

REV2 05/03/2016

This insert is to be used in conjunction with the main installation instructions and owner's manual. This insert is for TS125 Thermospan Commercial Doors Only!

www.Wayne-Dalton.com

Tools Needed:

- Power Drill
- Safety Glasses
- Tape Measure
- Saw Horses
- Phillips Screwdriver

Place the top section on sawhorses. Position the headseal on the tongue of the top section, making sure the straight portion of the headseal is facing the outside of door and pointing upward, as shown in fig. 1.0.

NOTE: Since the headseal will tend to want to slip off the tongue of the top section prior to securing it, it is advisable to have someone hold the section and another person holding the head seal in position, while securing it to the top section.

While holding the headseal in position, use the #6 - 20 x 1/2" screws to secure the headseal to the tongue of the top section. Screws should be installed at each end and at 18" intervals, as shown in fig. 1.1 and fig. 1.2.

IMPORTANT: BE CAREFUL INSTALLING THE #6 - 20 x 1/2" SCREWS INTO THE 90° GROOVE OF THE HEADSEAL. SCREWS COULD SLIP BENEATH THE HEADSEAL, MAKING A HOLE IN THE STRAIGHT PORTION OF THE HEADSEAL (FLAP).

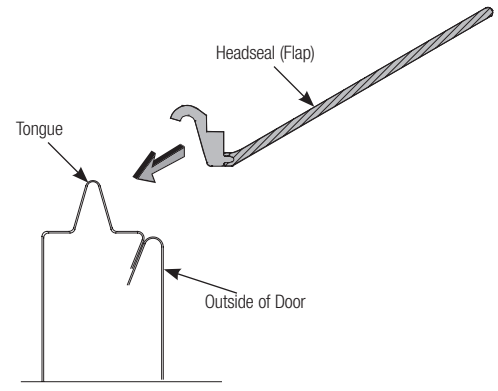


Fig. 1.0

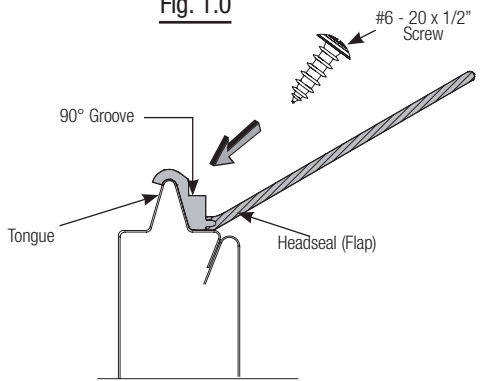


Fig. 1.1

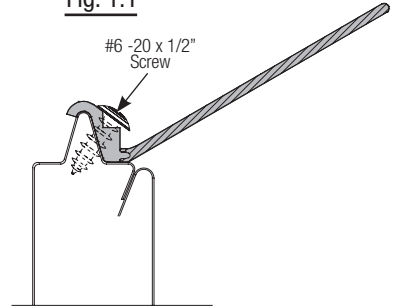


Fig. 1.2