

TANDEM ROLLERS

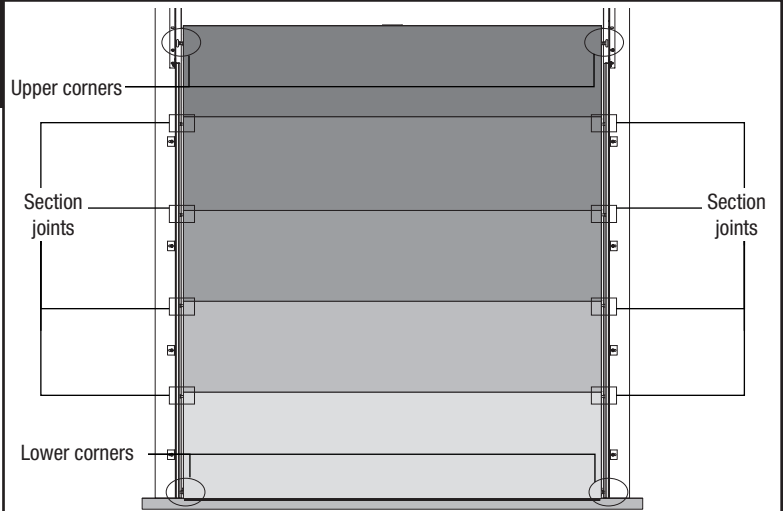
Supplemental Installation Instructions

This installation instruction is to be used as a supplement to the main Installation Instruction And Owner's Manual provided with the door. The instructions included in this document are ONLY those which deviate from the standard installation. All WARNINGS and CAUTIONS listed in the manual are applicable to this low-headroom instruction as well.

Installing Tandem Rollers

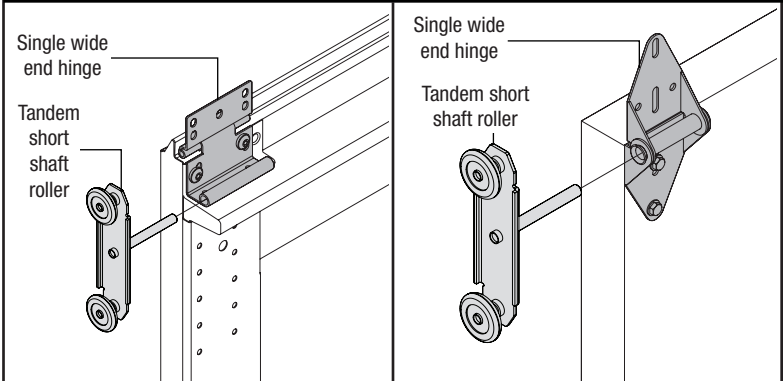
IMPORTANT: DO NOT USE TANDEM ROLLERS AT THE UPPER AND LOWER CORNERS OF YOUR DOOR (CIRCLED). ONLY USE TANDEM ROLLERS AT THE SECTION JOINTS (BOXED), AS SHOWN IN FIG. 1.0.

Refer to your Main Installation Instruction And Owner's Manual provided with the door; when prompted to placing the rollers into the middle end hinges and using FIG. 1.1 and FIG. 1.2, place a tandem roller into the hinge tube of the end hinges of sections.



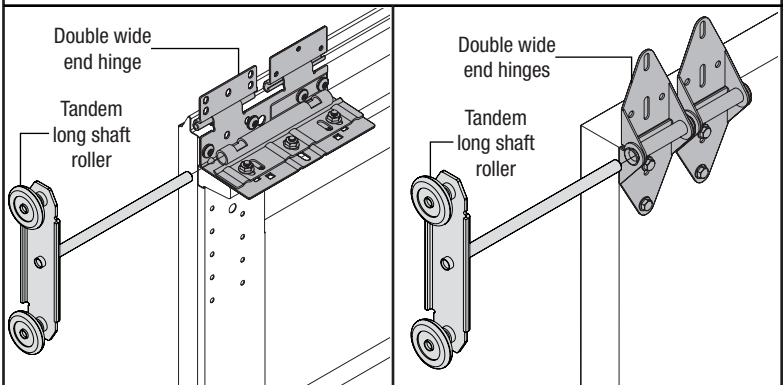
Front profile of a typical door shown

FIG. 1.0



Profile of a typical single wide end hinges shown

FIG. 1.1



Profile of a typical double wide end hinges shown

FIG. 1.2