

COMMERCIAL DOORS

Low Profile Outside Handle INSTALLATION INSTRUCTION INSERT

Use this insert in conjunction with the installation manual provided with the door.

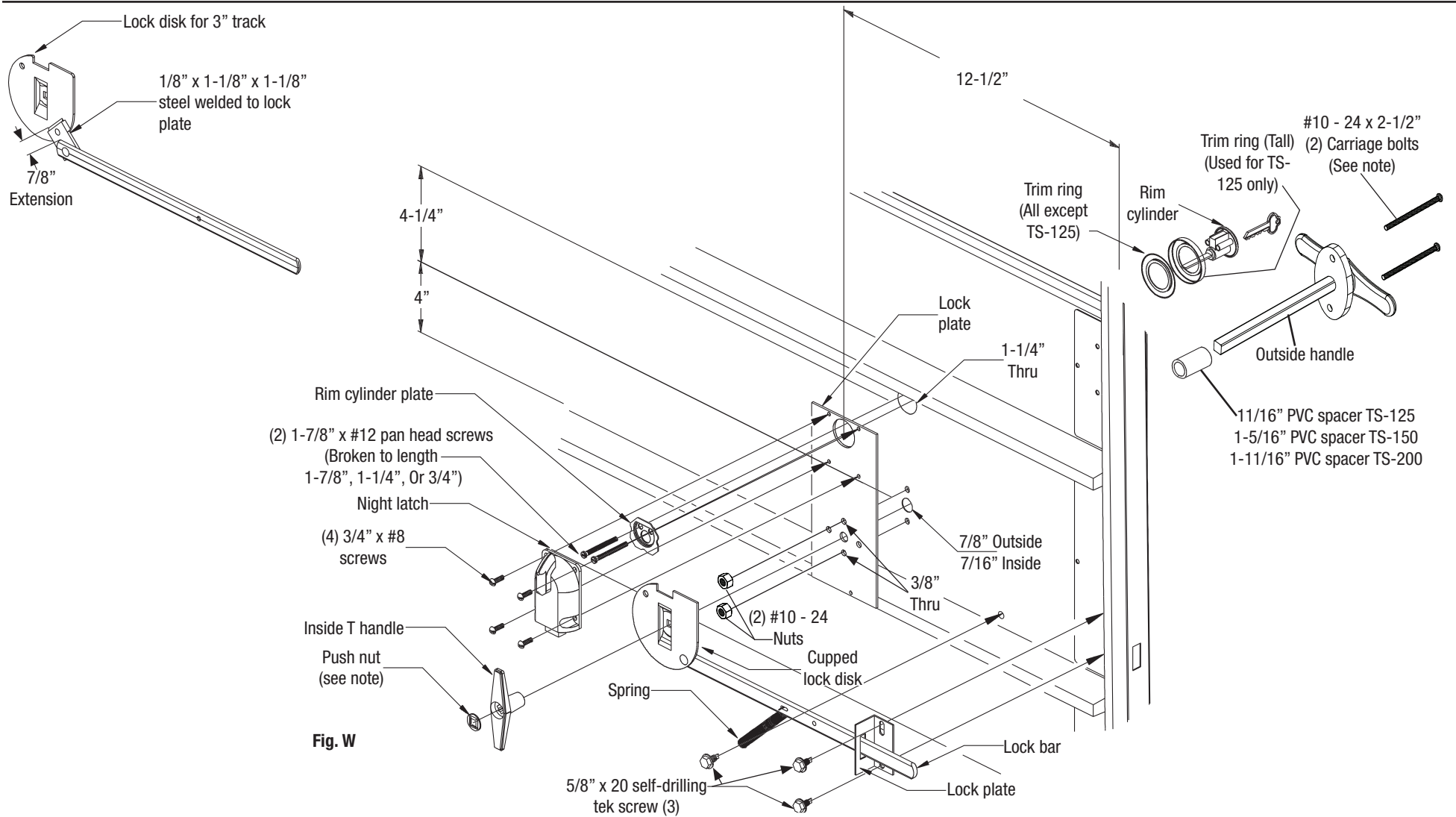


Fig. W

NOTE: After securing the outside handle, cut the (2) carriage bolts flush with the nuts.