

# High-Lift No Break-Away Track Installation Instruction Insert

<b>Tools Needed:</b>	<p>Refer to the General and Product Specific manuals for installing vertical track, sections, and section hardware in conjunction with this insert</p> <p>High Lift hardware is designed to raise the horizontal track higher off the floor than Standard Lift. The amount of High Lift is measured from the door header to the bottom of the horizontal track (Refer to the above note for maximum amount of Hi-Lift).</p> <p><b>NOTE:</b> To obtain the maximum amount of Hi-Lift follow these general rules for headroom requirements:  <b>400-54 Drums = Headroom Minus 10"</b>  <b>5250-54, 500-84, &amp; 5750-120 Drums = Headroom Minus 12"</b>  <b>800-120 &amp; 6375-164 Drums = Headroom Minus 14"</b></p>	<p>LEFT HAND TORSION SPRING (RED)          RIGHT HAND TORSION SPRING (BLACK)          RIGHT HAND CABLE DRUM (RED)          LEFT HAND CABLE DRUM (BLACK)</p>
----------------------	--	---

<b>1</b>	<b>Installing Break Away Track</b>	<p>(1) 5/16" X 1" SELF DRILLING SCREW FOR STEEL JAMBS OR (1) 5/16" X 1-5/8" LAG SCREW FOR WOOD JAMBS AT EACH LOCATION</p> <p>TRACK SPLICE PLATE</p> <p>(2) 1/4" - 20 X 9/16" TRACK BOLTS AND WHIZ NUTS</p> <p>LOWER VERTICAL TRACK</p> <p style="text-align: center;"><b>Figure 1</b></p>
<b>Tools Needed:</b>	<p>Loosely fasten the break away track to the lower track splice plate using</p> <p>(2) 1/4"-20 x 9/16" track bolts and whiz nuts.</p> <p>Attach the break away angle to the jamb using 5/16" x 1" self drilling screws for steel jambs and 5/16" x 1-5/8" lag screws for wood jambs at each hole location (See <b>Figure 1</b>).</p> <p>After break away track is properly attached to the door jamb, tighten all 1/4" - 20 x 9/16" track bolts and whiz nuts.</p>	

<b>2</b>	<b>Installing Horizontal Track</b>	<p>HORIZONTAL ANGLE</p> <p>HORIZONTAL TRACK</p> <p>3/8" TRUSS HEAD BOLT AND NUT</p> <p>TRACK SPLICE CLIP</p> <p>1/4"-20 X 9/16" TRACK BOLTS AND WHIZ NUTS</p> <p>BREAK AWAY TRACK</p> <p style="text-align: center;"><b>Figure 2</b></p>
<b>Tools Needed:</b>	<p>Attach the horizontal angle to the break away angle using (1) 3/8" truss head bolt and nut. Fasten the horizontal track to the track splice clip using</p> <p>(2) 1/4"-20 x 9/16" track bolts and whiz nuts (See <b>Figure 2</b>).</p> <p>Refer to the main installation manual for installing back hangers to the end of horizontal track.</p>	

# 3

## Installing Torsion Springs

### Tools Needed:

Ensure proper cable drums were provided with the door, high lift cable drums are flat at one end and tapered at the other.

Lift spring assembly into place and bolt end bearing brackets as shown using (2) 3/8" truss head bolts and nuts. Attach end bearing brackets to the door jamb using (3) 5/16" x 1-5/8" lag screws for wood jambs and (3) 5/16" x 1" self drilling screws for steel jambs (See Figure 4).

Attach the counterbalance cable to the cable drum (See Figure 3).

### **⚠ WARNING**

**IT IS STRONGLY RECOMMENDED THAT SAFETY COMPONENT OPTIONS, SUCH AS CABLE FAILURE DEVICES BE USED WITH EVERY HIGH LIFT TRACK INSTALLATION. IF DOOR IS, OR LATER BECOMES MOTOR OPERATED, SENSING EDGES AND ELECTRICAL INTERLOCKS WITH DOCK LEVELERS AND OPERATIONAL DOOR LOCKS SHOULD BE INSTALLED. WITHOUT SUCH SAFETY EQUIPMENT, A DOOR THAT BECOMES INOPERATIVE IN THE OPEN POSITION COULD FREE-FALL, CAUSING SEVERE INJURY OR DEATH.**

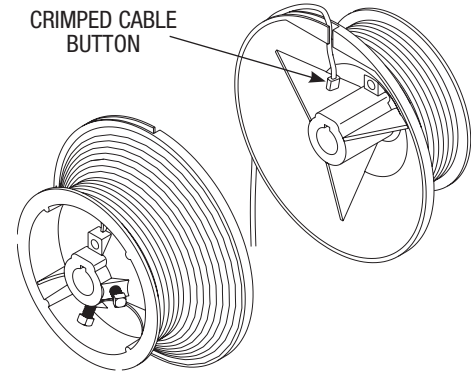


Figure 3

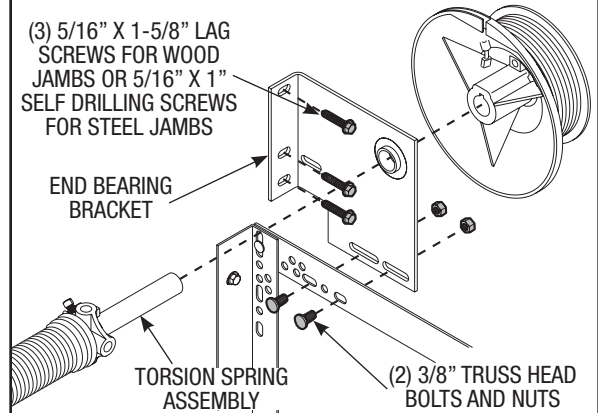


Figure 4

# 4

## Attach Bumper Springs

### Tools Needed:

Refer to the main installation manual for installing the back hanger supports prior installing the bumper springs. Attach the bumper spring to the "L" shaped bumper spring bracket using (2) 3/8 x 1" bolts. Raise the door to 2" - 4" past the full open position. Align bumper spring with the return flange of the top bracket. Attach the bumper spring assembly to the horizontal track using (2) 3/8" truss head bolts (See Figure 5) **DO NOT WELD.**

**IMPORTANT:** Back hangers must be installed before attempting to raise the door.

### **⚠ WARNING**

**BACK HANGERS MUST BE INSTALLED BEFORE ATTEMPTING TO RAISE THE DOOR. FAILURE TO DO SO CAN RESULT IN DOOR FALLING AND CAUSING SEVERE INJURY OR DEATH.**

### **⚠ WARNING**

**ATTACHING BUMPER SPRINGS BY WELDING CAN CAUSE SPRINGS TO BREAK WHEN IMPACTED BY DOOR, RESULTING IN SERIOUS INJURY OR DEATH FROM FALLING PIECES.**

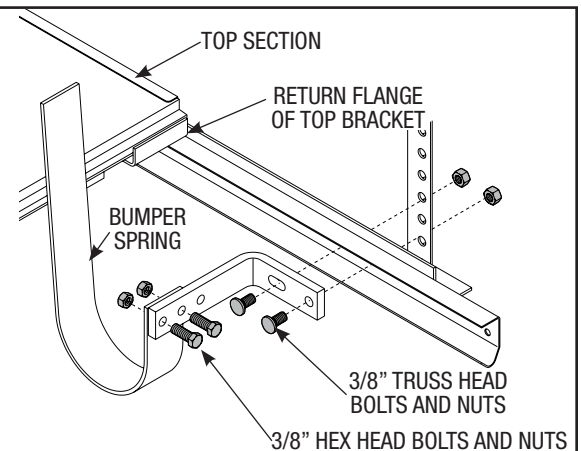


Figure 5

