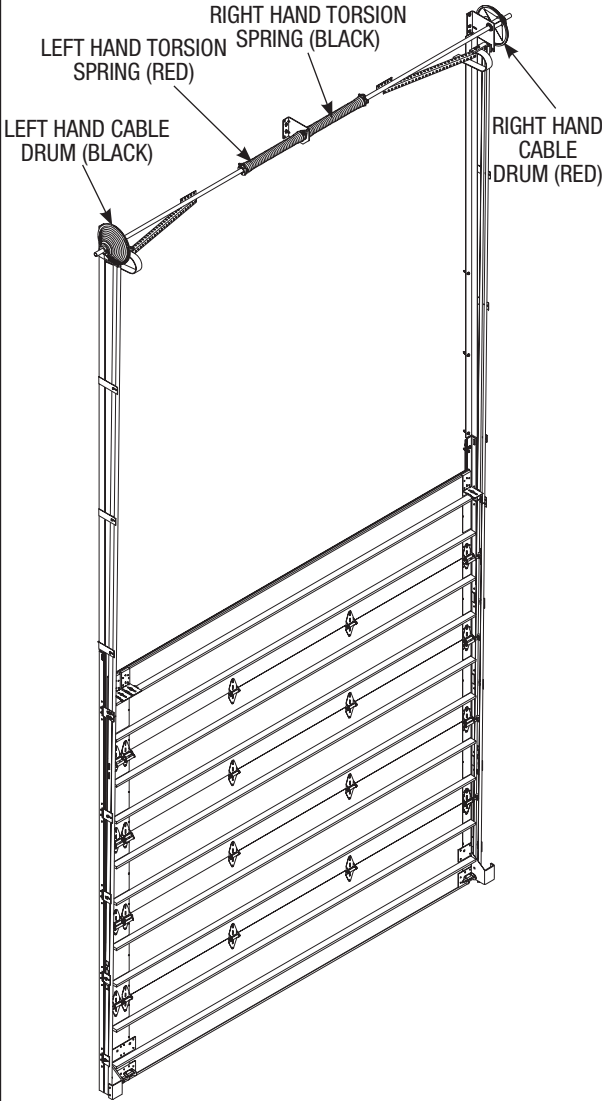
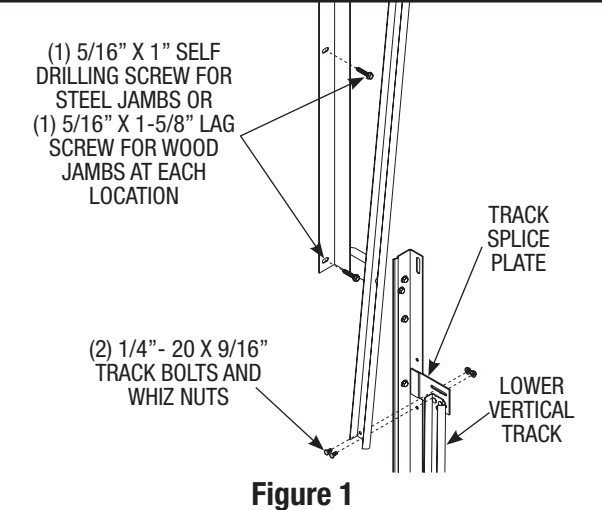


Extended Vertical Lift No Break-Away Track Installation Instruction Insert

		 <p>RIGHT HAND TORSION SPRING (BLACK)</p> <p>LEFT HAND TORSION SPRING (RED)</p> <p>LEFT HAND CABLE DRUM (BLACK)</p> <p>RIGHT HAND CABLE DRUM (RED)</p>
<p>Tools Needed:</p> <p>Refer to the General and Product Specific manuals for installing vertical track, sections, and section hardware in conjunction with this insert</p> <p>Attach "Bumper Springs" at the end of upper vertical tracks to prevent over-travel of the door, following instructions supplied with bumper springs. Attach bumper springs using supplied fasteners. DO NOT WELD.</p> <p>NOTE: It may be necessary to attach mounting bracket of bumper springs to the inside of the track to allow clearance for the end bearing fixture and cable drum.</p> <p>⚠ WARNING</p> <p>ATTACHING BUMPER SPRINGS BY WELDING CAN CAUSE SPRINGS TO BREAK WHEN IMPACTED BY DOOR, RESULTING IN SERIOUS INJURY OR DEATH FROM FALLING PIECES.</p> <p>NOTE: Vertical Lift track will now be supplied with 12" extended upper verticals (Headroom + DH + 32") and leaf bumper springs will not be required, but available as an option. If the non-extended (headroom = Headroom + 20") option is chosen, bumper springs are supplied and must be installed.</p> <p>The track is graduated at 1/8" per foot on both the lower and upper verticals. Standard, non-extended Headroom Requirements for no breakaway vertical lift is Door Height plus 20". If using a 1350-28 drum Headroom Requirements is Door Height plus 22".</p>		

<p>1</p>	<p>Installing Upper Track</p>	 <p>(1) 5/16" X 1" SELF DRILLING SCREW FOR STEEL JAMBS OR (1) 5/16" X 1-5/8" LAG SCREW FOR WOOD JAMBS AT EACH LOCATION</p> <p>TRACK SPLICE PLATE</p> <p>(2) 1/4" - 20 X 9/16" TRACK BOLTS AND WHIZ NUTS</p> <p>LOWER VERTICAL TRACK</p> <p>Figure 1</p>
<p>Tools Needed:</p>	<p>Loosely fasten the upper vertical track to the track splice plate using (2) 1/4-20 x 9/16" track bolts and whiz nuts.</p> <p>Attach the upper vertical track to the jamb using 5/16" x 1" self drilling screws for steel jambs and 5/16" x 1-5/8" lag screws for wood jambs at each hole location.</p> <p>After upper vertical track is properly attached to the door jamb, tighten all 1/4 - 20 x 9/16" track bolts and whiz nuts.</p>	

2

Installing Lateral Brace

Tools Needed:

For an added measure of safety, attach a lateral brace from the top of the upper vertical track to the wall to ensure proper track spacing will be maintained (See **Figure 2**). These braces are not provided with the door. For smaller dock size door it is necessary to attach a lateral brace the entire distance from track to track in addition to mounting lateral braces to the wall.

NOTE: Do not permanently fasten lateral braces until the door and track have been checked for proper clearances.

⚠ WARNING

FAILURE TO PROPERLY BRACE UPPER VERTICAL TRACKS CAN RESULT IN DOOR FREE FALLING, CAUSING SEVERE INJURY OR DEATH TO PERSON(S) IN VICINITY OF DOOR.

⚠ WARNING

IT IS STRONGLY RECOMMENDED THAT SAFETY COMPONENT OPTIONS, SUCH AS CABLE FAILURE DEVICES BE USED WITH EVERY HIGH LIFT OR VERTICAL LIFT TRACK INSTALLATION. IF DOOR IS, OR LATER BECOMES MOTOR OPERATED, SENSING EDGES AND ELECTRICAL INTERLOCKS WITH DOCK LEVELERS AND OPERATIONAL DOOR LOCKS SHOULD BE INSTALLED. WITHOUT SUCH SAFETY EQUIPMENT, A DOOR THAT BECOMES INOPERATIVE IN THE OPEN POSITION COULD FREE-FALL, CAUSING INJURY OR DEATH.

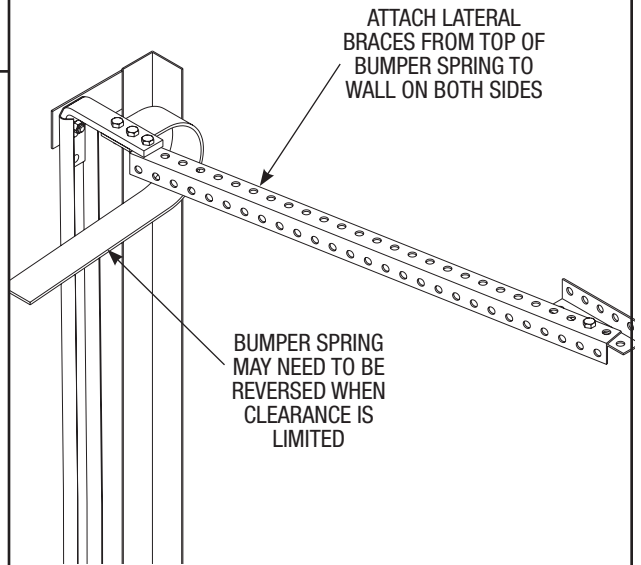
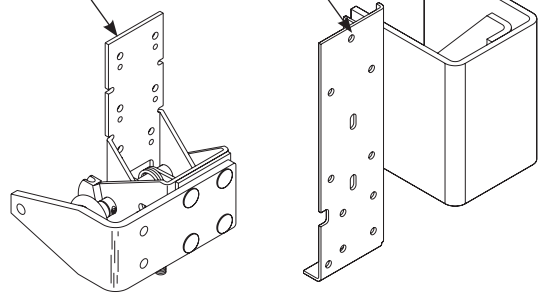


Figure 2

OUTSIDE HOOKUP
BROKEN CABLE
SAFETY DEVICE

TYPICAL OUTSIDE
HOOKUP BOTTOM
CORNER BRACKET



3

Install Torsion Springs

Tools Needed:

Ensure proper cable drums are being installed on the door. Vertical lift cable drums are tapered the entire length of the drum.

Attach the counterbalance cable to the cable drum (See **Figure 3**).

Lift torsion spring assembly into place and bolt bearing plates to upper track assembly using (2) 3/8" truss head bolts and nuts (See **Figure 4**).

Secure the end bearing bracket to the jamb using 5/16" x 1" self drilling screws for steel jambs or 5/16" x 1-5/8" lag screws for wood jambs.

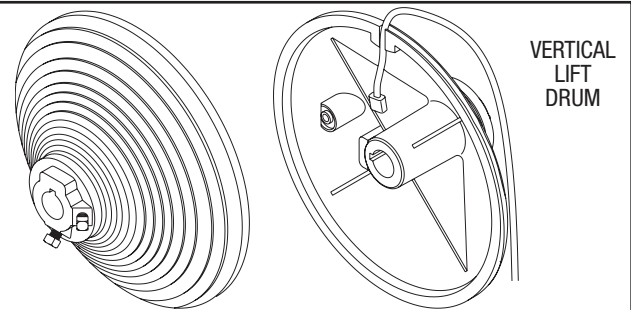


Figure 3

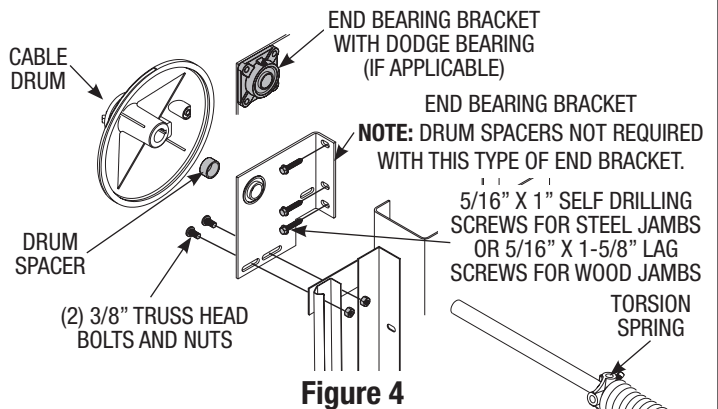


Figure 4