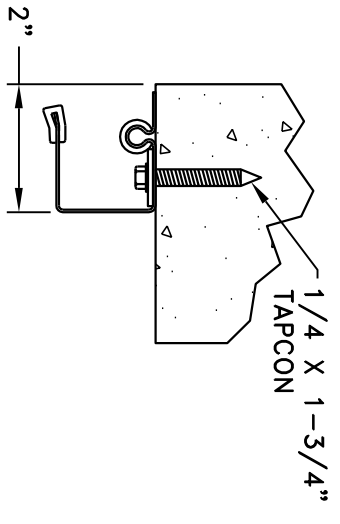
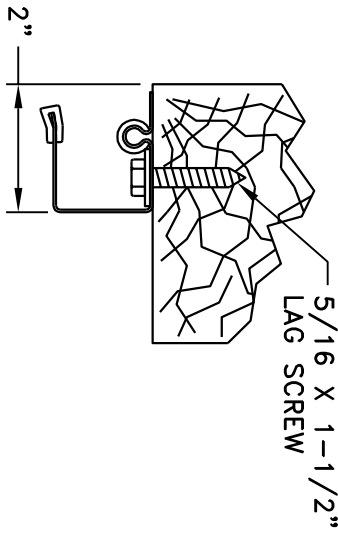


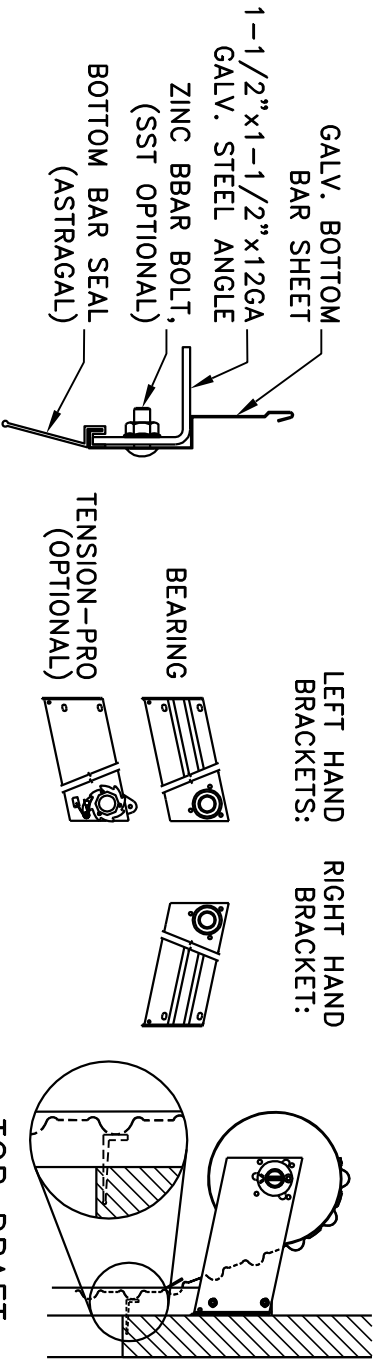
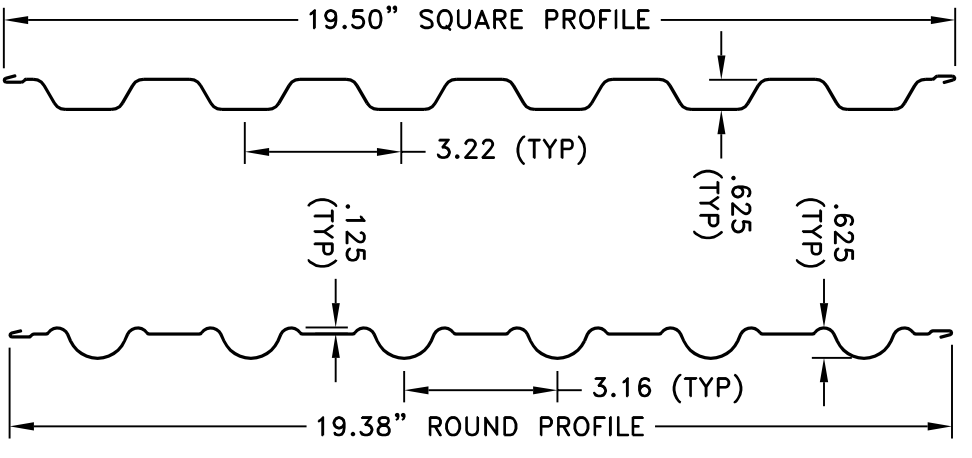
STEEL JAMB DETAIL



MASONRY JAMB DETAIL



WOOD JAMB DETAIL



BOTTOM BAR DETAIL

BRACKET DETAIL

TOP DRAFT STOP DETAIL (OPTIONAL)

- NOTES:**
1. DOOR MODEL DS75I IS INSULATED DS-75
 2. WHEN USING LOCK BY OTHERS (LBO), STANDARD THROW SLIDE REQUIRED
 3. TOP DRAFT STOP OPTIONAL
 4. CURTAIN LOCK (CTL) HAND DETERMINED OUTSIDE LOOKING IN
 5. DIMENSIONS SHOWN ARE APPROXIMATE. SEE INSTALL MANUAL FOR EXACT COMPONENT LOCATION

BRACKET TYPE	A
BEARING BRACKET	3-1/4"
TENSION-PRO BRACKET	4"

OPENING HEIGHT	B
UP TO 6'8" HIGH	16"
FROM 6'8-1/4" TO 8' HIGH	17"
OVER 8' HIGH	18"

SALES ORDER NUMBER	DOOR MODEL	QTY	EXACT OPENING SIZE		OUTSIDE CURTAIN COLOR	JAMB TYPE		LH BRACKET TYPE	LOCK OPTIONS			OPTIONAL TOP DRAFT STOP?	OPTIONAL HOOD?	OTHER OPTIONS
	DS75		DS75I	WIDTH		HEIGHT	MAS		STL	WOOD	BEARING			

PROJECT LOCATION		CONTACT		PHONE NUMBER		FAX NUMBER		DATE	
PROJECT NAME		CUSTOMER NUMBER		CUSTOMER NAME		PROJECT NUMBER		PROJECT LOCATION	

DS-75 MINI ROLLUP DOOR

CUSTOMER NAME: _____

CUSTOMER NUMBER: _____

PROJECT NAME: _____

PROJECT LOCATION: _____

CONTACT: _____

PHONE NUMBER: _____

FAX NUMBER: _____

DATE: _____

Wayne Dalton
Door & Systems Div.
2589 County Rd 168
Dundee, Ohio 44624

SIZE DRAWING NO. **B 035-0024** REVISION **2**