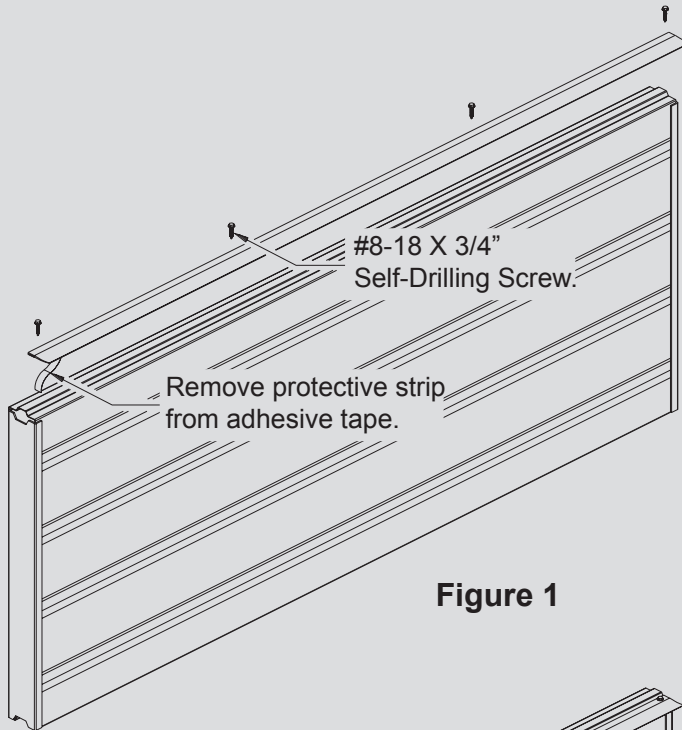
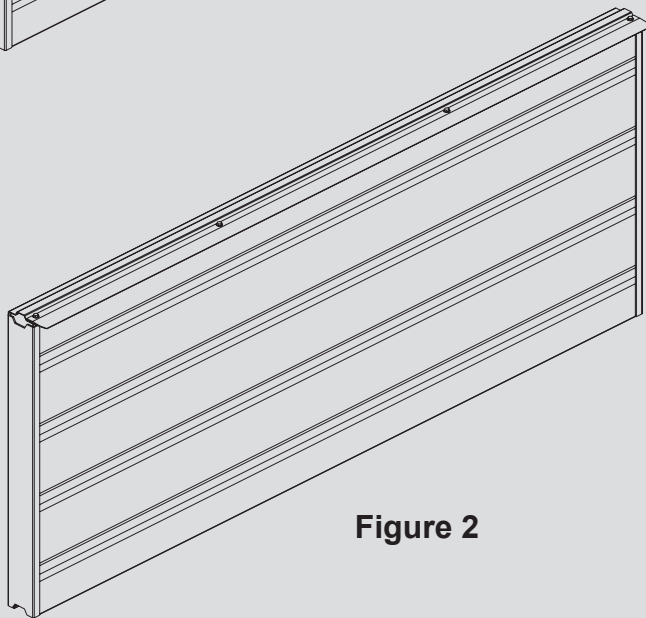


# C-Series Top Head Seal Installation Instruction Insert

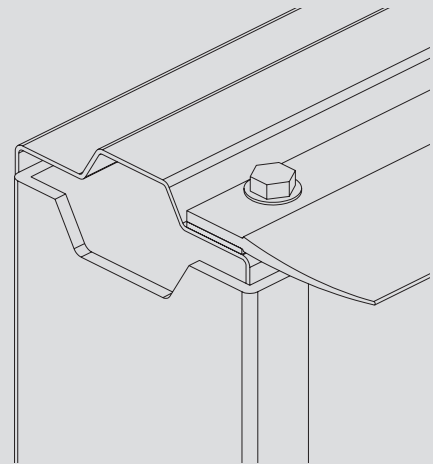
Use this insert in conjunction with the installation manual provided with the door. The Top Head Seal has been designed for use on C-Series doors.



**Figure 1**



**Figure 2**



**Figure 3**

## ► STEP 1

Cut the Top Head Seal to the section width.  
(See **Figure 1 & 2**).

## ► STEP 2

Remove the protective strip from the adhesive tape on the Top Head Seal. (See **Figure 1**).

## ► STEP 3

Install the Top Head Seal onto the top outer edge of the section. Secure to the section with #8-18 X 3/4" Self-Drilling Screws, up to 18" apart. (See **Figure 1**). Install screws into flat portion of Top Head Seal. (See **Figure 3**).