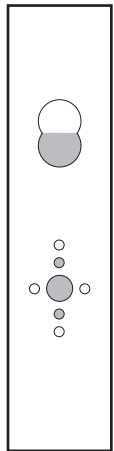
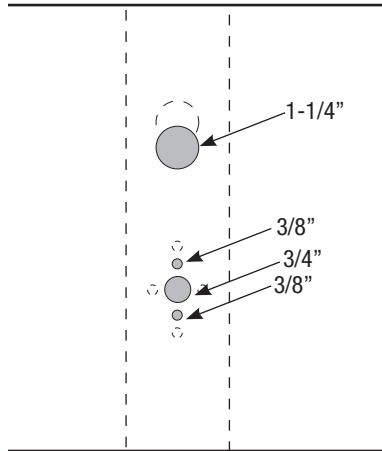


# Model 8000, 8100, 8200 Lock Insert Double Lock Bar T-Handle



Inside of door  
(Pilot drill the shaded holes if not already pre-punched)  
the lock stile using (2) #10-1" screws.



Outside of door  
(Pilot drill the shaded holes if not already pre-punched)

Use noted holes to pilot drill thru the exterior if prepunched holes are not in section.

**NOTE:** All holes must be drilled from the exterior of the door with a sharp hole saw for a clean cut. Be careful not to damage the door.

Attach the two J-clips to the exterior of the door as shown. Attach the outside escutcheon plate to the exterior of the door using (2) #10 x 1" countersunk screws through the plate into the J-clips.

Insert the spacer into the lower hole by slightly squeezing the ring. Position the cylinder back plate and attach with the screws provided as shown.

Attach the inside escutcheon plate to the inside of the door on

From the exterior of the door, insert the outside T-handle through the outside escutcheon plate and inside escutcheon plate. From the inside of the door, place the lock bar assembly over the square shank of the T-handle. Place the inside T-handle on the square shank. Then place a roll pin or tinnerman nut to secure the handle in place. Attach lock bar spring to right hand lock bar and the stile.

