

9100/9400/9600/5120/5140 WINDLOAD

Supplemental insert

P.O. Box 67 Mt. Hope, OH 44660

©Copyright 2016 Wayne Dalton, a division of Overhead Door Corporation

Part No. 341895

REV2 05/03/2016

Use this supplement in conjunction with the main Installation Instructions and Owner's Manual. These instructions replace the corresponding pages/steps of the main Installation Instructions and Owner's Manual. The instructions included in this document are ONLY those which deviate from the standard installation. All WARNINGS and CAUTIONS listed in the main Installation Instructions and Owner's Manual are applicable to these instruction.

www.Wayne-Dalton.com

INSTALLING STEP PLATE

Tools Needed:

3/16" Drill Bit

7/16" Drill Bit

Power Drill

Phillips Head
Screwdriver

Pencil

Tape Measure

On the inside of the door, locate the lowest u-bar on the bottom section of the door. Make a mark on the top flange of the u-bar showing the location in which the step plate will be installed. Next, measure 2 3/16" (56mm) directly below the first previous mark. Next, measure 2 3/16" (56mm) directly below the first previous marked location and make another mark on the bottom flange of the u-bar. Using a power drill, drill a 3/16" (5mm) hole straight through the section at each mark, as shown in FIG. 1.1.

NOTE: When drilling through the section, be extremely careful to keep drill straight.

On the outside of the door and using the previously drilled holes as a guide, drill a 7/16" (11mm) hole through the facer steel and insulation.

NOTE: Do not drill through or enlarge holes on the inside of the door.

Insert the outside step plate, as shown in FIG. 1.2.

On the inside of the door, secure the outside step plate using the #8 screws and washers provided. Install (1) #8 x 3/4" screw in the bottom outside step plate hole, as shown in FIG. 1.3. The #8 screw for the top hole varies in length, depending on your door model, as shown below:

- #8 x 3/4" screw for Models 9100/5120.
- #8 x 1" screw for Models 9400/9600/5140.

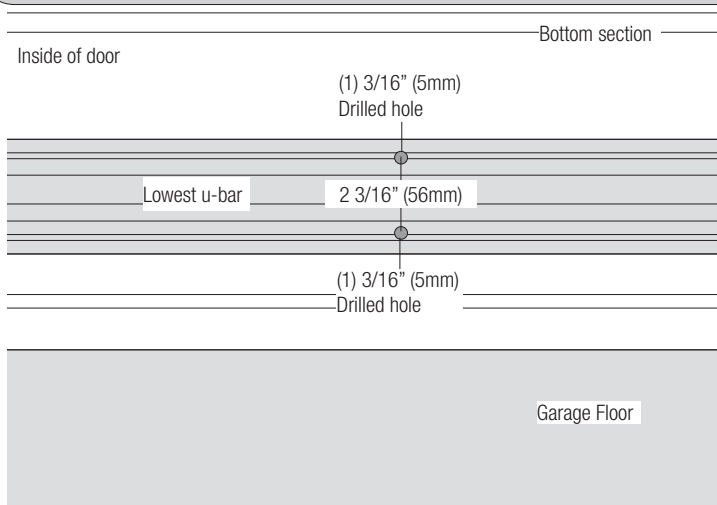


FIG. 1.1

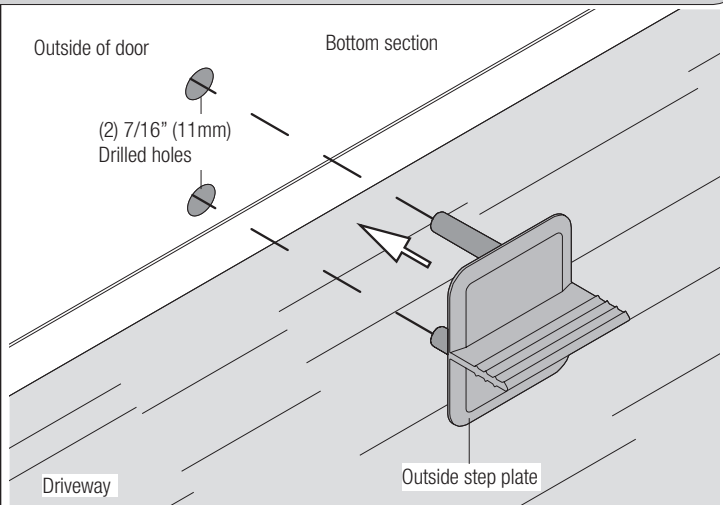


FIG. 1.2

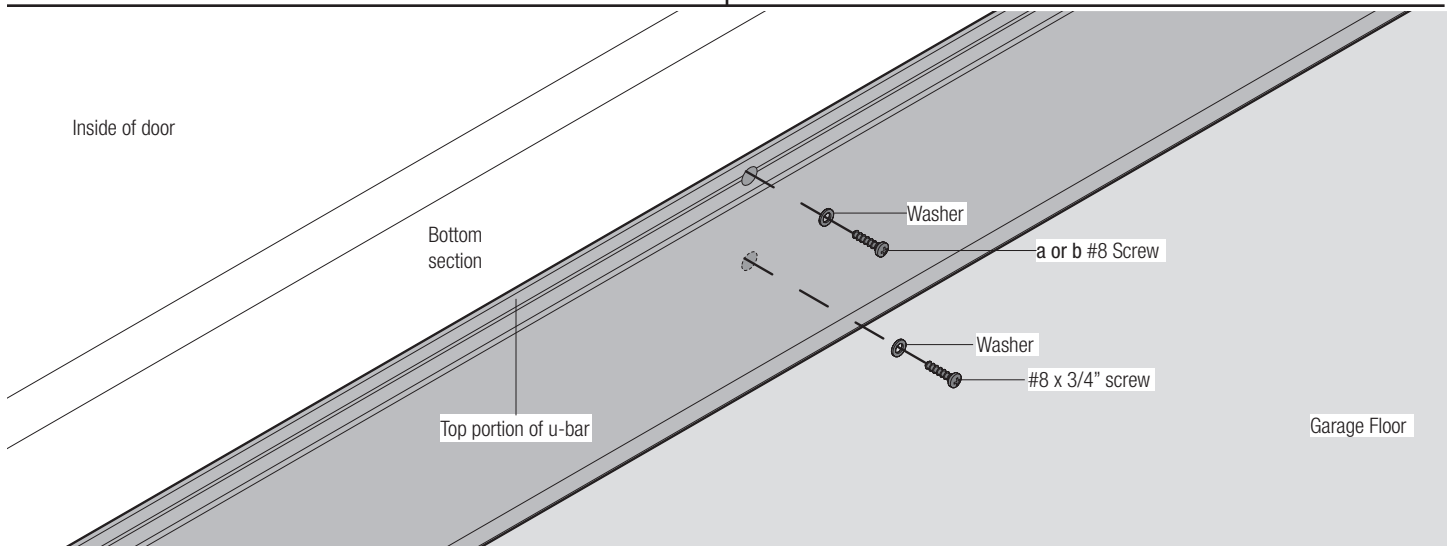


FIG. 1.3