

Residential Product 32" Radius 24" Hi-Lift Track

Installation Instruction Insert

Use this insert in conjunction with the main Installation Instructions and Owner's Manual provided with the door. Follow the corresponding steps in this insert with the steps in the main Installation Instructions and Owner's Manual.

1 INSTALLING THE VERTICAL TRACK

NOTE: Depending on your door, you may have flag angles or you may have wall clips. Refer to illustrations below to determine which flag angles or wall clips you have.

Reference the illustrations below, attach the flag angle to the vertical track either using the stud plate and (2) 1/4" - 20 flanged hex nuts or (2) 1/4" - 20 track bolts and (2) 1/4" - 20 hex nuts, per side. Next, attach the adjustable jamb brackets / scab brackets to obtain the desired vertical track offset, as necessary (Reference the standard installation instructions included with your door). Repeat for opposite side. Attach the vertical tracks and the flag angle (if applicable) to the jambs with (1) 5/16" x 1-5/8" lag screw through each jamb bracket / scab brackets and flag angle slot, as shown.

Complete the installation of the sections per the standard installation instructions supplied with your door.

2 INSTALLING THE HORIZONTAL TRACK

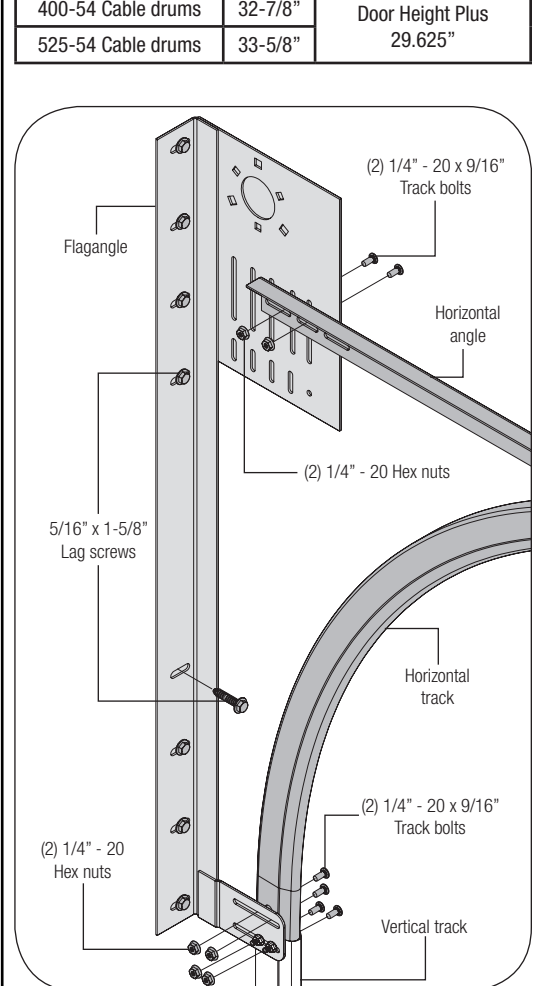
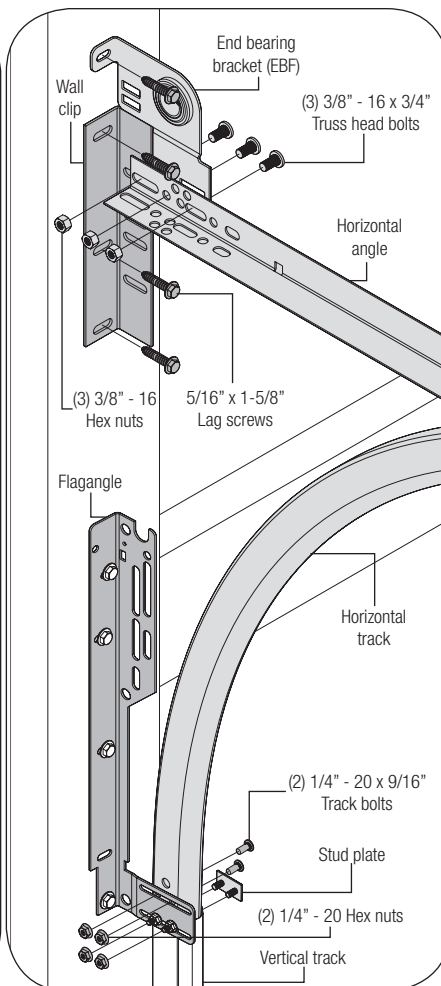
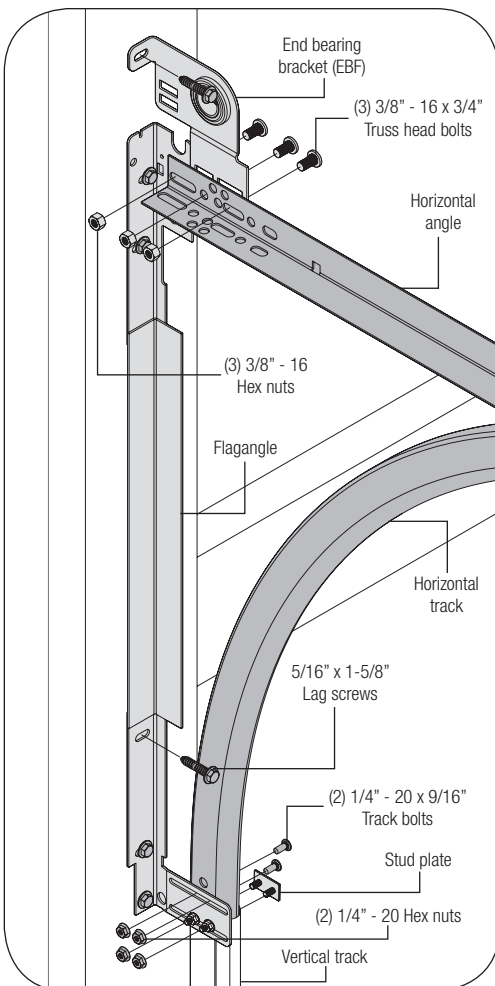
Attach the horizontal track curve to the upper slots in the flag angle using (2) 1/4" - 20 x 9/16" track bolts and (2) 1/4" - 20 hex nuts. Rotate the horizontal track assembly upward until the horizontal track assembly is approximately level with the floor. Using the illustrations below, attach the horizontal angle to the flag angle using proper fasteners or attach the wall clip to the jamb using 5/16" x 1-5/8" lag screws. Level the horizontal track assembly and tighten the truss head bolts and the track bolts until snug. Attach rear back hangers as necessary. Repeat for other side.

3 INSTALLING THE COUNTERBALANCE SYSTEM

Complete the installation of the counterbalance system per the standard installation instructions supplied with your door substituting the hi-lift drums in place of the standard lift drums.

Headroom Requirements		Floor To Center Line Distance	
Upright EBF	32-1/2"	Upright EBF	D.H. Plus 30"

Headroom Requirements		Floor To Center Line Distance
400-54 Cable drums	32-7/8"	Door Height Plus 29.625"
525-54 Cable drums	33-5/8"	



4 EXTENDING THE DOOR ARM HOOKUP

NOTE: When using 32" radius track and using a trolley operator, you may have to extend the trolley arm to be able to secure it to the door arm properly. Refer to illustrations below.

At the center of the top section, measure the distance horizontally from the top hole of the door arm to one of the bottom holes of the trolley arm. Using that dimension, measure and cut (2) pieces of perforated angles (**16GA minimum**) or (2) pieces of straight trolley arms (supplied by others). Next, assemble the (2) pieces of perforated angles / (2) pieces of straight trolley arms together with the door arm and the trolley arm sandwich in between the perforated angles / straight trolley arms (supplied by others). Secure the assembly together using (4) 5/16" - 18 x 1" hex head bolts and (4) 5/16" - 18 lock nuts (supplied by others), as shown.

