



AUXILLIARY INSTRUCTIONS FOR USE ONLY WHEN INSTALLING AN idrive™ Garage Door Opener ON CLOPAY DOORS USING THE: EZ-Set Torsion Spring Systems™

EZ-Set Torsion Spring System™ is a registered trademark of

Clipay® Building Products - a Griffon Company.

NOTE: Check the lift cables for any fraying or broken cable strands. If there are broken strands or fraying, contact a professional door agency for replacement.

On new installation, shim vertical track 1/2" off the floor.

Adjust track to achieve 1/2" min. spacing between tracks and edge of sections.

Install keeper spring mounting bracket directly above bottom bracket. Position to overlap edge of sections, by 1/8 in., as shown in figure 3. Use (2) self-drilling screws for steel doors, or (2) 1" lags for wood doors.

Install keeper spring to mounting bracket with (1) 3" x 3/8" bolt.

Springs are color coded: Red on the left, Black on the right.

Install plastic sleeve over cable and loop hole over keeper spring hook.

Inspect plastic sleeves and door cables periodically for wear.

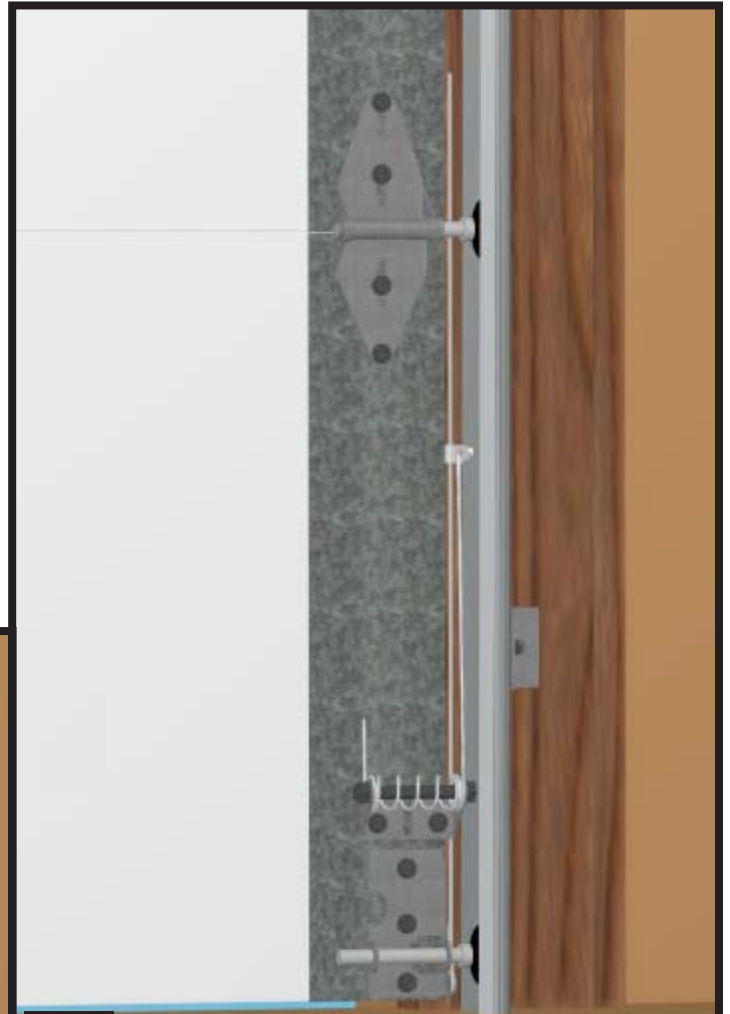


Fig. 1

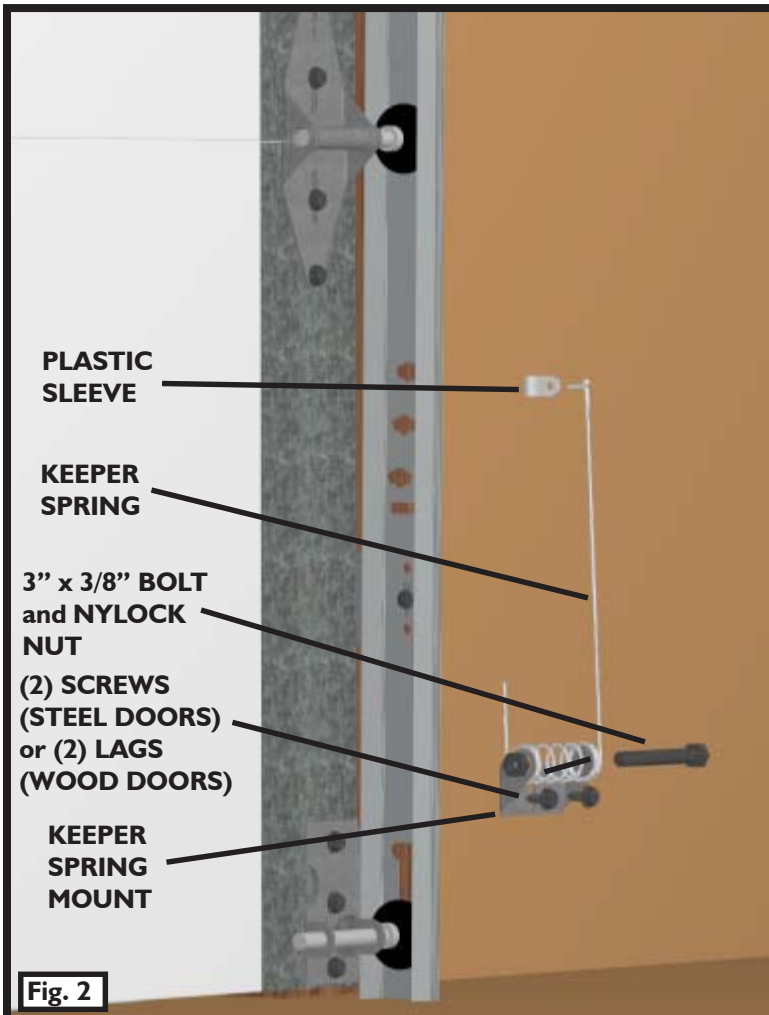


Fig. 2

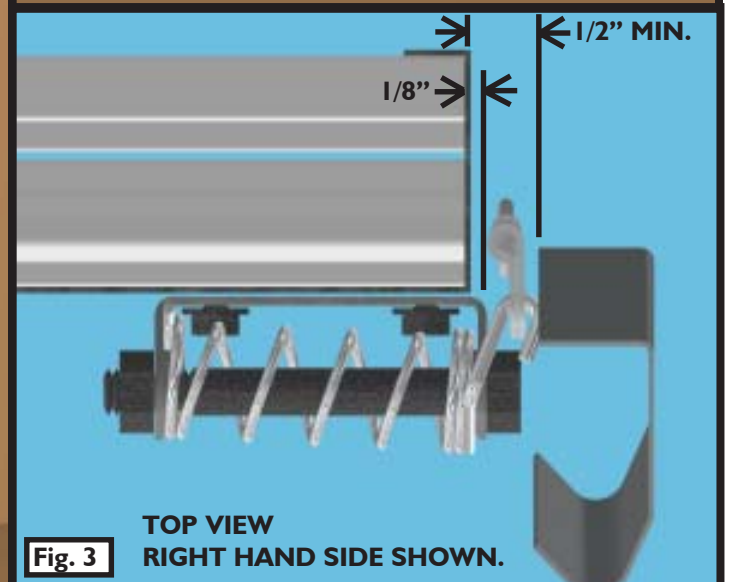
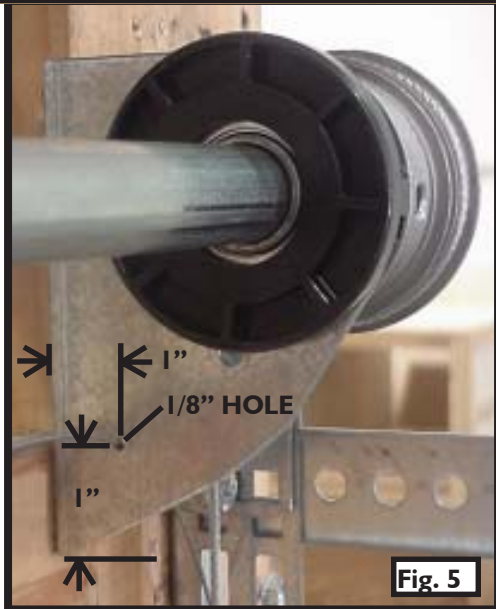


Fig. 3

TOP VIEW
RIGHT HAND SIDE SHOWN.



Install *idrive*™ mounting plate supplied in supplemental installation bag in place of mounting plate supplied with the *idrive*™ operator shown in fig. 4.

Measure up 1 in. from the bottom of the CLOPAY EZ-Set Torsion Spring Systems™ mounting bracket and 1 in from the mounting surface of the bracket as shown in fig 5.

Drill a 1/8" hole in the bracket at that point

Route *idrive*™ Disconnect cable thru 1/8 in hole and then thru the slot in flag angle as shown in Fig. 6 & 7

Return to *idrive*™ Installation manual for remaining instructions.