



Waynegard Series™ Thermowayne® Side Lock Kit Installation Instructions

Kit Part Number - 245773

Fasten the striker plate to the track using (2) 1/4-20 x 9/16" track bolts and (2) 1/4-20 flanged hex nuts as shown in Fig. 1. Don't tighten fully. Place the Side Lock against the section and fasten using (4) 1/4-20 x 5/8" tek screws. Push the slide into the striker plate. Adjust the striker plate so that the slide sits in the center of the slot and then tighten the striker plate to the track.

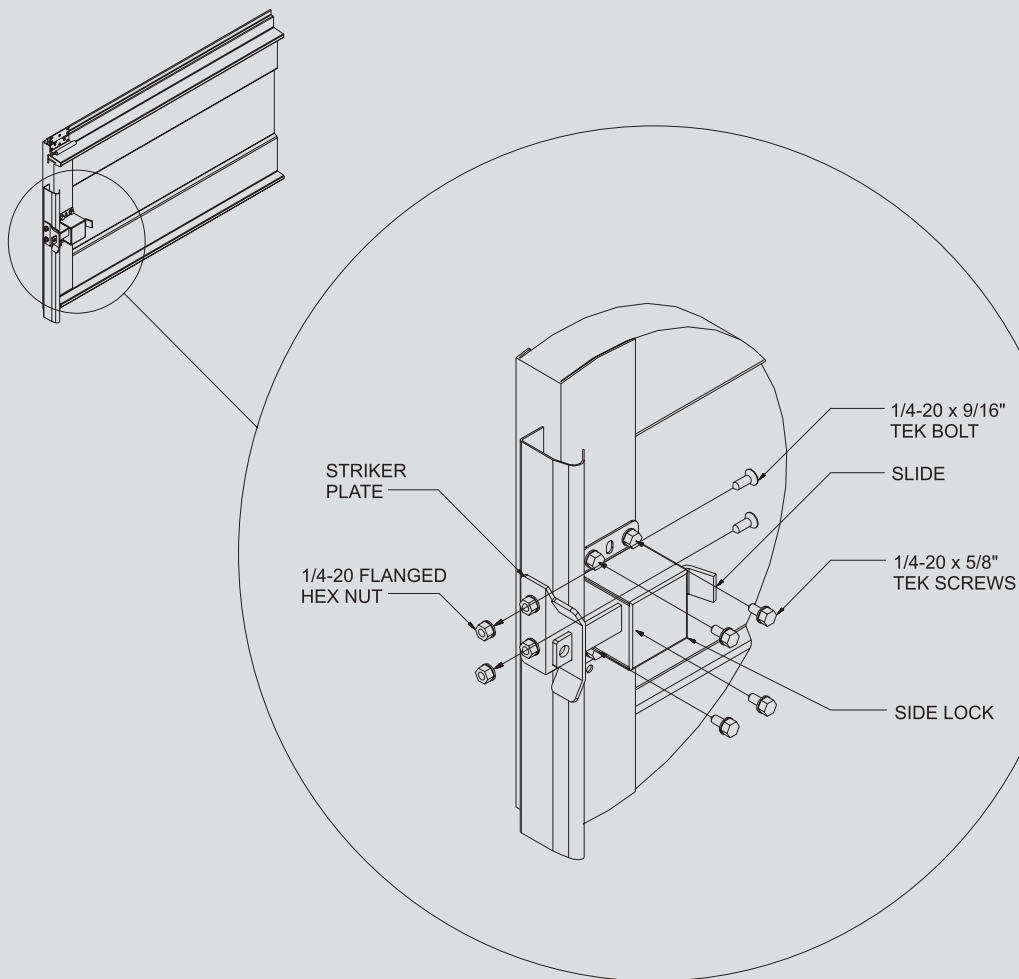


Fig. 1