



www.wayne-dalton.com

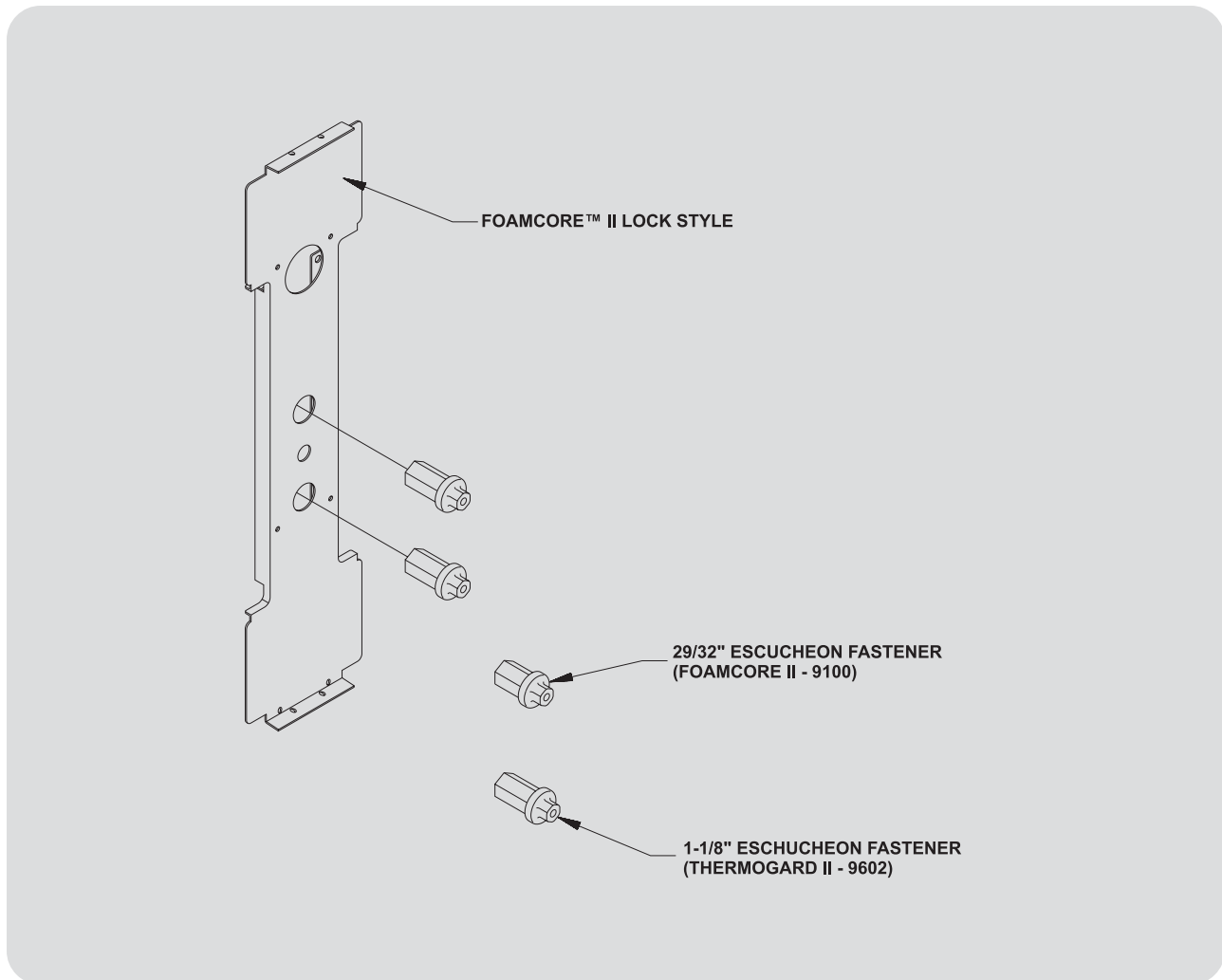
# Waynegard™ Series

## Thermogard® II - Model 9602

## Foamcore™ II - Model 9100

### *DIY Installation Instruction Insert*

Refer to the Door and Lock Model Installation Instruction Manual for Important Safety Notices.



Lock kits designed for DIY use are slightly altered so they may be used for both Foamcore™ II (Model 9100) and Thermogard® II (Model 9602) doors. In the main lock installation manual, two different lock stiles are shown. For this lock kit only the Foamcore™ II lock style will be needed. There are also (4) escucheon fasteners, only two will be needed. Use the shorter (29/32") escucheon fastener on a Foamcore II (Model 9100) door and the longer (1-1/8") escucheon fastener on a Thermogard II (Model 9602) door.