



# Outside Disconnect Kit

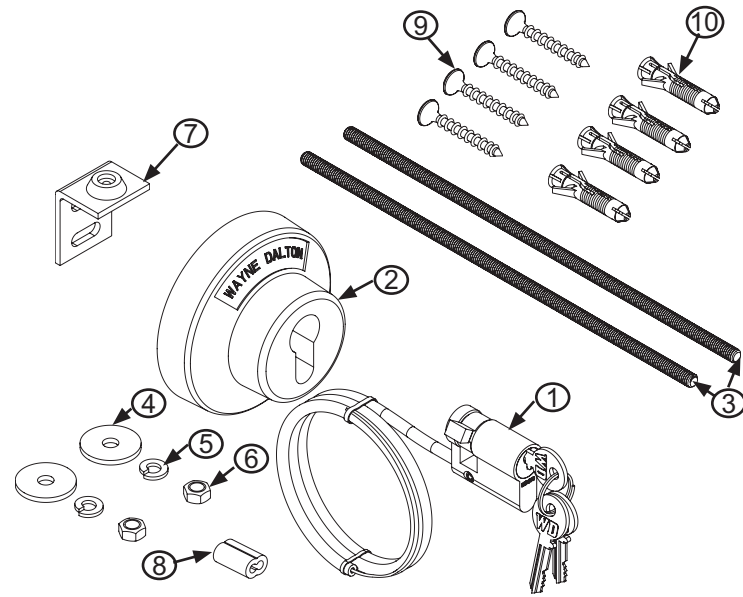
## Installation Instructions and Owners Manual

P.O. Box 67 Mt. Hope,  
OH 44660  
(888) 827-3667  
www.wayne-dalton.com

### Package Contents

#### Outside Disconnect Kit: 312670

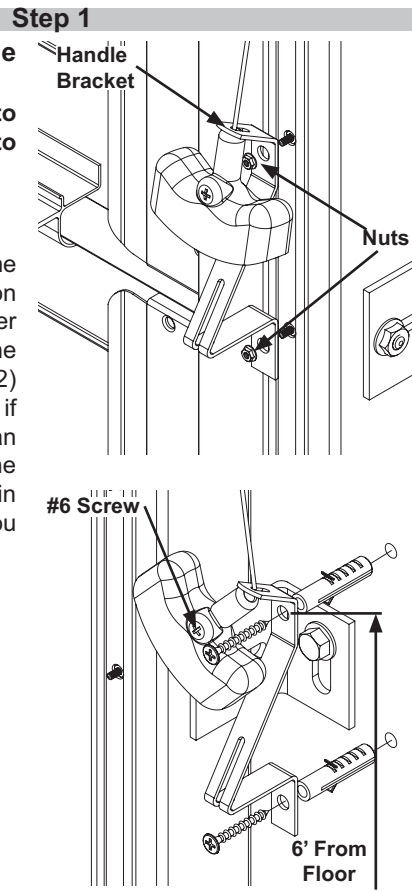
- |                                     |                         |
|-------------------------------------|-------------------------|
| 1. (1) Cylinder 40 mm               | 6. (2) M6 x 1 Hex Nut   |
| 2. (1) Outside Disconnect Housing   | 7. (1) Cable Guide      |
| 3. (2) Threaded Rod M6 x 1 x 280 mm | 8. (1) Crimp sleeve     |
| 4. (2) Washers, Flat 6 mm hole      | 9. (4) Wood Screws, #10 |
| 5. (2) Lock Washers 6 mm            | 10. (4) Anchors, #10    |



### Mount Inside Handle Bracket To Wall:

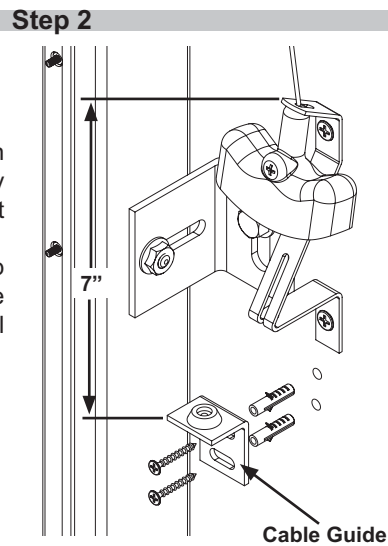
(If your bracket is welded to the track, please proceed to Step 2):

Take off the nuts that are holding the handle bracket to the door track. Move the bracket on to the wall, keeping it no higher than 6" above floor. Secure the bracket to the wall, using (2) #10 fasteners. (Use anchors if securing to material other than wood). If there is slack in the cable, loosen #6 set screw in handle just enough to allow you to pull the slack out.



### Mount Cable Guide:

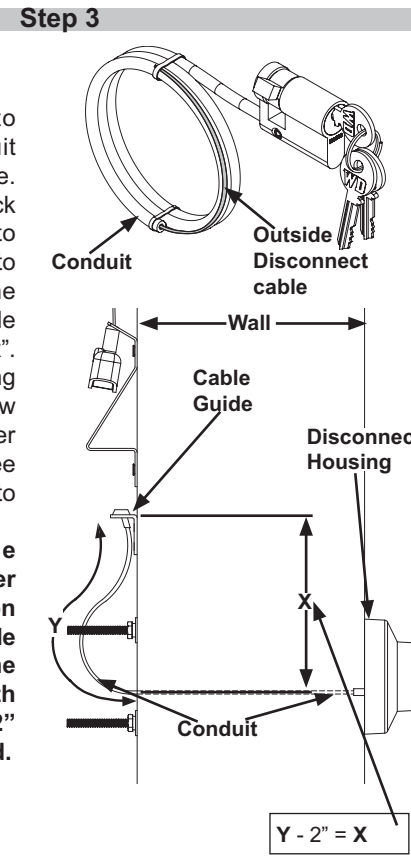
Align cable guide directly below handle bracket. Position the cable guide approximately 7" below inside disconnect handle bracket (6" min). Fasten cable guide to jamb with (2) #10 fasteners. (Use anchors if securing to material other than wood).



### Drill Through Wall:

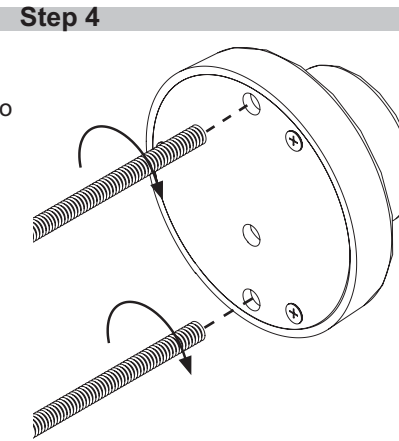
Measure wall thickness to determine length of conduit that will extend inside garage. Conduit will run from the back of the disconnect housing to the cable guide. Subtract 2" to 2-1/2" from the length of the conduit that will extend inside garage to determine length "x". Position middle hole of drilling template at the length "x" below cable guide. Mark the center of the three holes. Drill three 1/4" holes through the wall to the outside.

**Note:** If attaching outside disconnect cable to opener disconnect cable per Option 3, subtract 4" - 5" from inside conduit length to determine "x" length. Conduit length may also require 2 - 2-1/2" length be cut from one end.



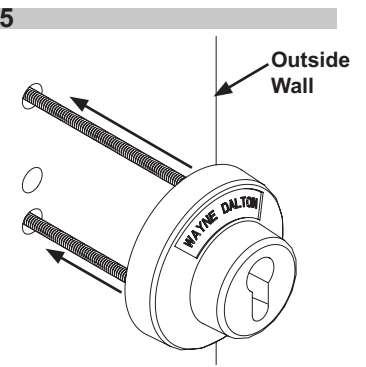
### Insert Threaded Rods:

Screw (2) threaded rods into the back side of the outside disconnect housing until bottomed.



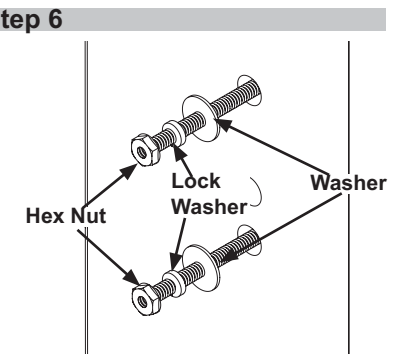
### Placing Outside Disconnect Housing:

From the outside of the garage, insert the threaded rods into the drilled holes, until the outside disconnect housing is flush against the exterior surface.



### Securing Outside Disconnect Housing:

Secure the outside disconnect housing into position from the inside, with the flat washers, lock washers and M6 x 1 hex nuts.

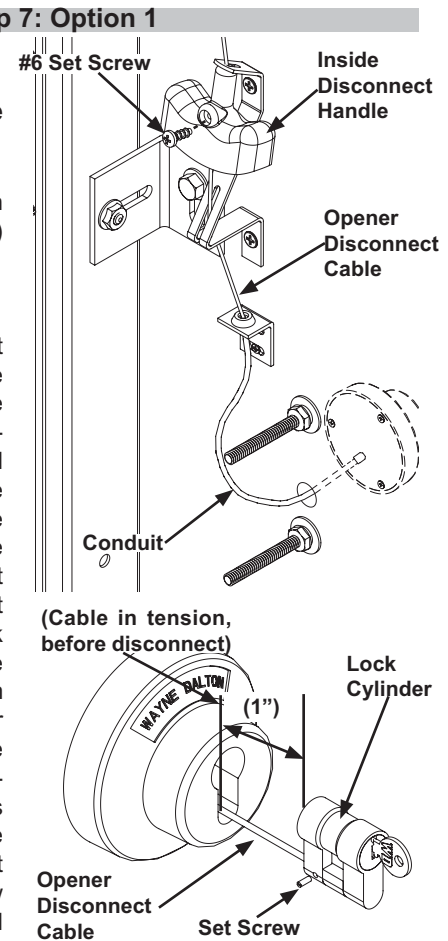


### Cable Connection:

If installing at same time as new opener:

**drive™ opener must be in connected (motor operated) condition with motor pivoted completely down.**

Route the opener disconnect cable through the handle bracket, inside handle, cable guide, conduit and disconnect housing. Remove all slack from disconnect cable between opener and inside handle. Place inside handle in the upper most bracket position and tighten #6 set screw in handle. Loosen lock cylinder set screw and remove outside disconnect cable from lock cylinder. Pull opener cable to remove slack. Leave about 1" of cable when fastening to cylinder. Cut off excess cable. Insert disconnect cable in cylinder and tighten set screw. The cylinder can now be inserted into housing and locked.

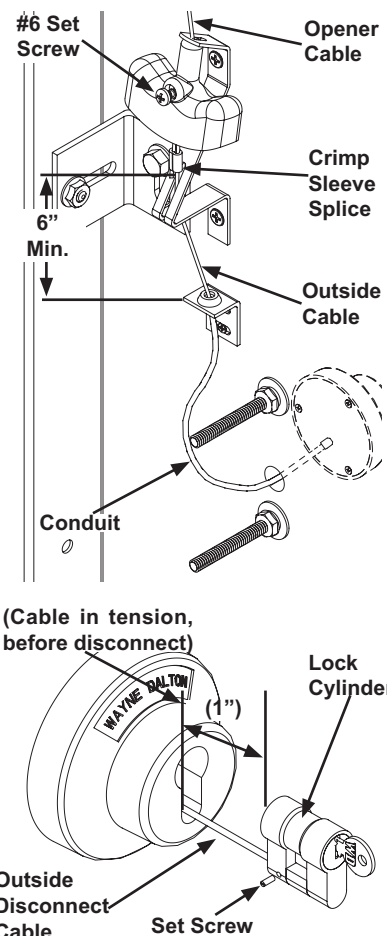


**Step 7: Option 2**

**Retro-Fit To Previously Installed Opener:**

**Crimp Sleeve Splice Below Inside Handle:** (Proceed if you have 1" to 2" of opener cable below handle)

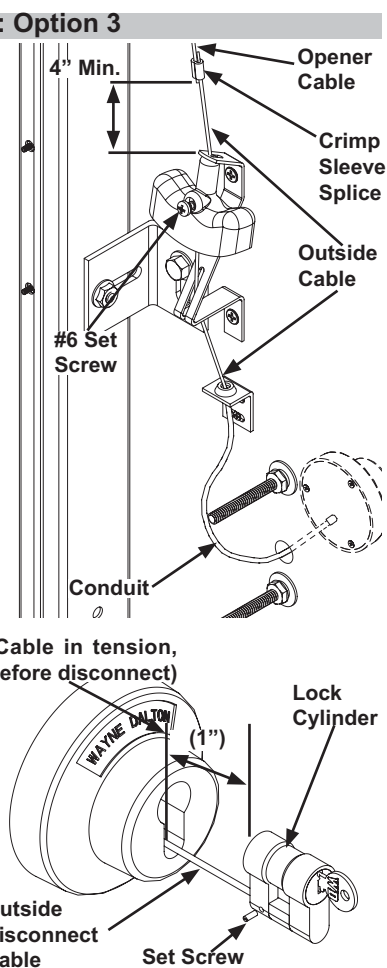
Feed outside disconnect cable through the wall from outside. Feed conduit over outside cable from inside garage. Feed outside cable through cable guide. Feed outside cable through crimp sleeve. With the disconnect handle in the motor operated (upper) position, loosen #6 screw (**Do not take screw out completely**) insert outside cable inside the handle. Pull any slack from opener cable. Tighten #6 set screw (making sure you clamp both cables tight with the screw). Place crimp below the handle, also placing opener disconnect cable in crimp. Use a pair of pliers to crimp securely. Loosen cylinder set screw, remove outside cable from cylinder and trim length so there is about 1" between cylinder and housing with slack removed, but before disconnecting opener. Insert cable back into cylinder and tighten set screw



**Retro-Fit:**

**Crimp Sleeve Splice Above Inside Handle:** (Proceed if you don't have 1" to 2" of cable below handle)

Feed outside disconnect cable through the wall from outside. Feed conduit over cable from inside garage. Loosen the #6 set screw in handle (**Do not take screw out completely**) and remove opener cable. Feed outside cable through cable guide, handle and handle bracket at least 4" above handle bracket. Pull slack out of outside cable (leaving 1" on the outside to grab when in use). Remove cable slack and tighten #6 set screw with the disconnect handle in the motor operated (upper) position. Place inside cable and outside cable in crimp no less than 4" above bracket. Pull all slack out of opener disconnect cable. Use a pair of pliers to crimp securely.



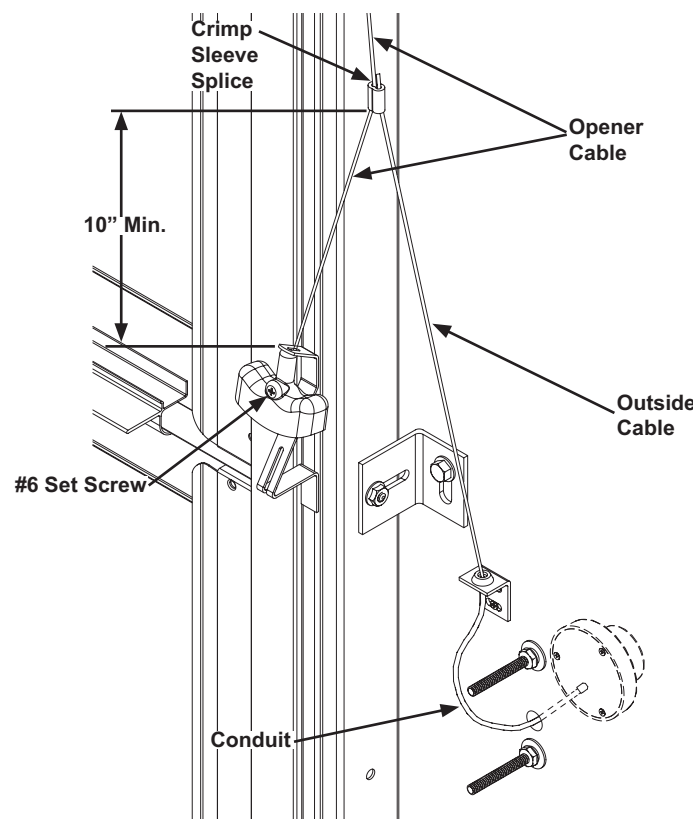
**Optional Installation**

**Welded Handle Bracket:**

(Cannot Remove Bracket From Track)

Place outside disconnect cable through the conduit and cable guide. Loosen the #6 set screw in handle (**Do not take screw out completely**) and take out cable. Slide opener cable and outside cable through crimp above handle (min. 10") use a pair of pliers to crimp securely. Place inside cable back in handle, remove slack and tighten #6 set screw.

**Note: When using outside disconnect, the inside disconnect handle will not latch into disconnected position with this configuration. Outside disconnect cylinder will need to be manually held in disconnected position while manually moving the door.**



**Step 8**

Test opener disconnect operation by unlocking cylinder, removing from housing and pulling cable using cylinder as the pull handle.



**Outside Disconnect Kit  
Model# 312670  
90-DAY LIMITED WARRANTY**

The Manufacturer warrants that the Outside Disconnect Kit will be free from defects in materials and workmanship for a period of NINETY DAYS from the date of installation, provided it is properly maintained and cared for under normal use and service.

This Warranty extends to the original homeowner, providing the Outside Disconnect is installed in his/her place of primary residence. It is not transferable. The warranty applies to residential property only and is not valid on commercial or rental property.

NO EMPLOYEE, DISTRIBUTOR, OR REPRESENTATIVE IS AUTHORIZED TO CHANGE THE FOREGOING WARRANTIES IN ANY WAY OR GRANT ANY OTHER WARRANTY ON BEHALF OF MANUFACTURER.

The Manufacturer shall not be responsible for any damage resulting to or caused by its products by reason of installation, improper storage, unauthorized service, alteration of products, neglect or abuse, any acts of nature beyond Manufacturer's control (such as, but not limited to, lightning, power surges, water damage, etc.), or attempt to use the products for other than the customary usage or for their intended purposes. The above warranty does not cover normal wear or any damage beyond Manufacturer's control or replacement labor.

THIS WARRANTY COVERS A CONSUMER PRODUCT AS DEFINED BY THE MAGNUSON-MOSS WARRANTY ACT. NO WARRANTIES, EXPRESSED OR IMPLIED, (INCLUDING, BUT NOT LIMITED TO, THE WARRANTY OF MERCHANTABILITY OR FITNESS FOR A PARTICULAR PURPOSE), SHALL EXTEND BEYOND THE APPLICABLE TIME PERIOD STATED IN BOLD FACE TYPE ABOVE.

Claims for defects in material and workmanship covered by this warranty shall be made in writing with in the warranty. To the dealer from whom the product was purchased within the warranty period. Manufacturer may either send a service representative or have the product returned to the Manufacturer at Buyer's expense for inspection. If judged by Manufacturer to be defective in material or workmanship, the product will be replaced or repaired at the option of the Manufacturer, free from all charges except authorized transportation and replacement labor.

THE REMEDIES OF BUYER SET FORTH HEREIN ARE EXCLUSIVE AND ARE IN LIEU OF ALL OTHER REMEDIES, THE LIABILITY OF MANUFACTURER, WHETHER IN CONTACT, TORT, UNDER ANY WARRANTY OR OTHERWISE, SHALL NOT EXTEND BEYOND ITS OBLIGATION TO REPAIR OR REPLACE, AT ITS OPTION, ANY PRODUCT OR PART FOUND BY MANUFACTURER TO BE DEFECTIVE IN MATERIAL OR WORK SHALL NOT BE RESPONSIBLE FOR ANY DIRECT, INDIRECT, SPECIAL OR CONSEQUENTIAL DAMAGES OF ANY NATURE.

This Warranty gives you specific legal rights, and you may have other rights, which may vary from state to state. However, some states do not allow limitation on how long an implied warranty lasts or the exclusion or limitation of incidental or consequential damages so the above limitations or exclusions may not apply to you.

