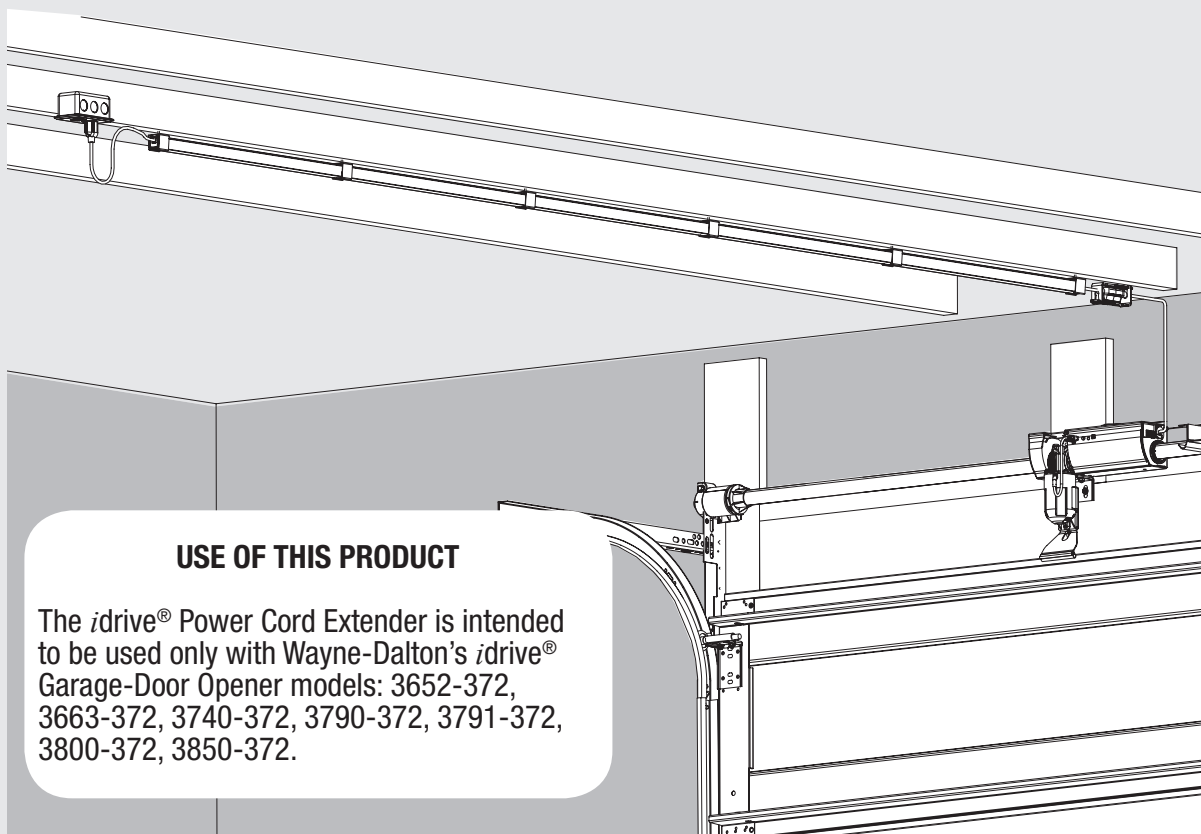




# *idrive*® Power Cord Extender

## Installation Instructions

Models: 3960M/3961S



### USE OF THIS PRODUCT

The *idrive*® Power Cord Extender is intended to be used only with Wayne-Dalton's *idrive*® Garage-Door Opener models: 3652-372, 3663-372, 3740-372, 3790-372, 3791-372, 3800-372, 3850-372.

### IMPORTANT NOTICE!

Re-locatable power taps may be used on a temporary basis to provide an extension of a grounding alternating-current branch circuit for general use. Some municipalities may limit the use of re-locatable power taps. Please check with your local officials.

## Table of Contents

Important Safety Instructions .....	2
Package Contents .....	3
Tools Required .....	3
Installation .....	4-10
Warranty .....	11
Customer Service Number .....	12

Definition of key words used in this manual:

### **WARNING**

INDICATES A POTENTIALLY HAZARDOUS SITUATION WHICH, IF NOT AVOIDED, COULD RESULT IN SEVERE OR FATAL INJURY.

**IMPORTANT:** REQUIRED STEP FOR SAFE AND PROPER OPERATION.

**NOTE:** Information assuring proper installation of the opener.

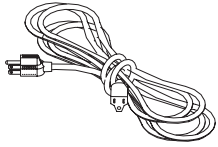
### **WARNING**

**READ THESE INSTRUCTIONS CAREFULLY BEFORE ATTEMPTING INSTALLATION. IF IN QUESTION ABOUT ANY OF THE PROCEDURES, DO NOT PERFORM THE WORK. INSTEAD, HAVE A LICENSED ELECTRICAL CONTRACTOR DO THE INSTALLATION OR REPAIRS.**

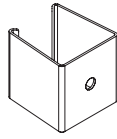
1. **READ AND FOLLOW ALL INSTALLATION INSTRUCTIONS.**
2. Incorrect installation can lead to electrical shock or fire.
3. Do not connect the opener to a power source until instructed to do so.
4. Installation of wiring must comply with local building and electrical codes. Check with your local officials.
5. This product is intended for indoor use only.
6. Connect this product only to a properly grounded outlet.
7. Do not remove the ground pin from the power cord.

**Save these instructions.**

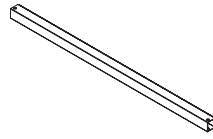
## Package Contents



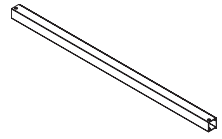
25' POWER CORD



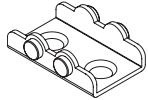
(6) MOUNTING BRACKETS



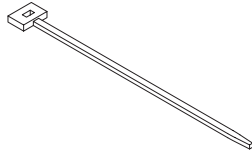
(5) 24" TRAYS (MODEL 3960M)



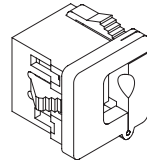
10' TRAY (MODEL 3961S)



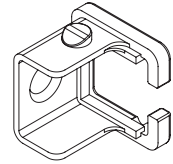
(4) TRAY CONNECTORS (MODEL 3960M)



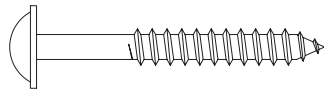
(2) WIRE TIES



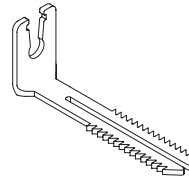
(2) STRAIN RELIEF BUSHINGS



(2) STRAIN RELIEF HOLDERS

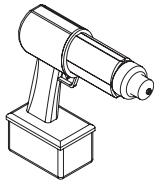


(6) #10 X 1 1/2" PHILLIPS PAN HEAD WOOD SCREWS

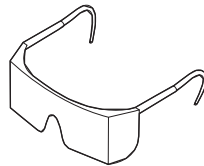


(2) PLUG RETENTION CLIP

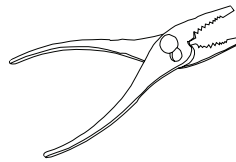
## Tools Required



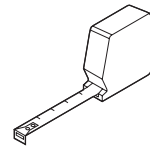
POWER DRILL



SAFETY GLASSES



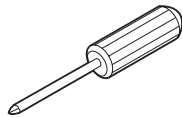
PLIERS



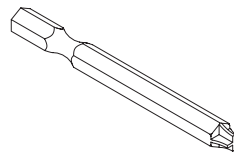
TAPE MEASURE



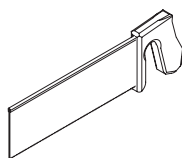
STRING (11FT.)



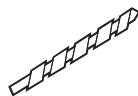
#2 PHILLIPS OR SQUARE DRIVE SCREWDRIVER



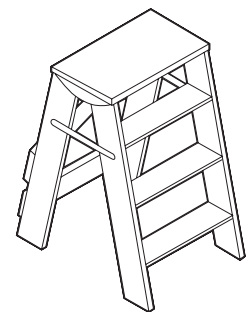
OPTIONAL #2 PHILLIPS OR SQUARE DRIVE DRIVER



HAND SAW



3/32", 17/64" DRILL BITS



STEP LADDER

<h1>1</h1>	<h2>Mounting Brackets</h2>	<p>POWER RECEPTACLE</p> <p>MOUNTING BRACKET</p> <p>FRAMING MEMBER</p> <p>TOTAL LENGTH OF CORD TRAY (10' MAX.)</p> <p>OPENER</p>
<p>Tools Needed:</p> <p>Tape Measure</p>	<p>Locate and mark the wooden framing member closest to the ceiling mounted power receptacle. Next, locate and mark the wooden framing member closest to the <i>i</i>drive® opener.</p> <p><b>NOTE:</b> The distance between the two marks must not exceed 10'. Relocate one of the marks to the next closest framing member if necessary.</p>	

<h1>2</h1>	<h2>Attaching Mounting Brackets</h2>	<p>FRAMING MEMBER</p> <p>FRAMING MEMBER</p> <p>3/32" PILOT HOLE</p> <p>POWER RECEPTACLE</p> <p>MOUNTING BRACKET</p> <p>#10 X 1-1/2" PHILLIPS PAN HEAD WOOD SCREW</p> <p>POWER DRILL</p>
<p>Tools Needed:</p> <p>Power Drill</p> <p>3/32" Drill Bit</p> <p>Phillips Head Driver</p>	<p>Pre-drill a 3/32" pilot hole into the wood framing at each marked location. Attach a mounting bracket to both ceiling locations with a (1) #10 x 1-1/2" wood screw.</p>	

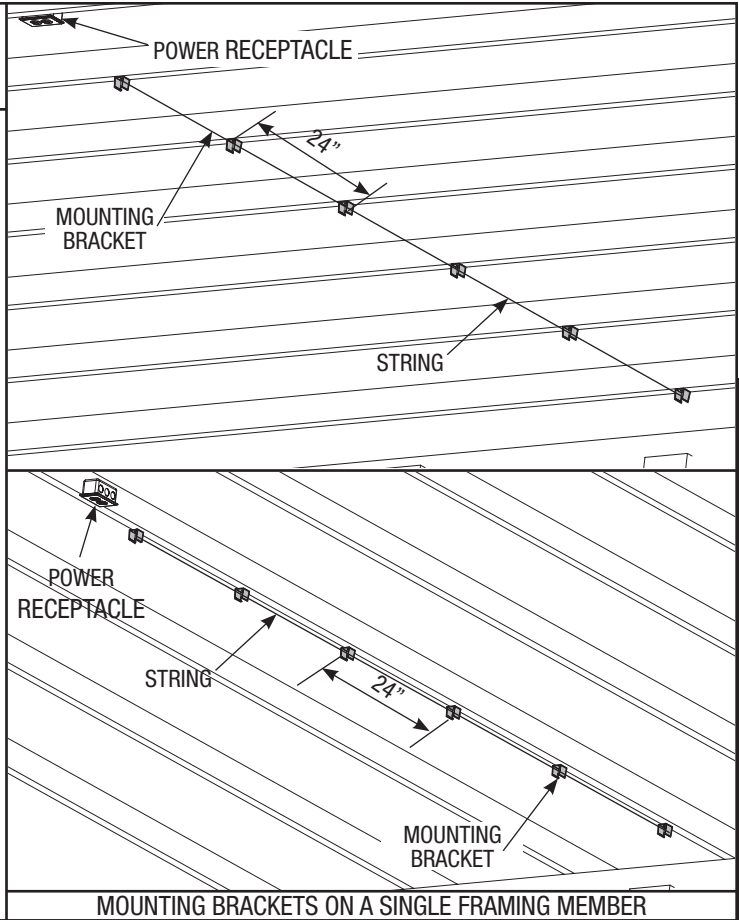
# 3

## Aligning Mounting Brackets

Tools Needed:  
String  
Power Drill  
3/32" Drill Bit  
Phillips Head Driver

Pull a string between the two mounting brackets to create a straight line. Following the line, attach the remaining brackets to the wooden frame members. Attach mounting brackets to a smooth, flat surface to keep mounting brackets straight and aligned. Maintain a 24" spacing between brackets. If 24" spacing does not align with a wood frame member, use a suitable anchor for the screw.

**NOTE:** All brackets must be attached to the ceiling in a straight line.



MOUNTING BRACKETS ON A SINGLE FRAMING MEMBER

# 4

## Tray Length

Tools Needed:  
Hand Saw  
17/64" Drill Bit  
Power Drill

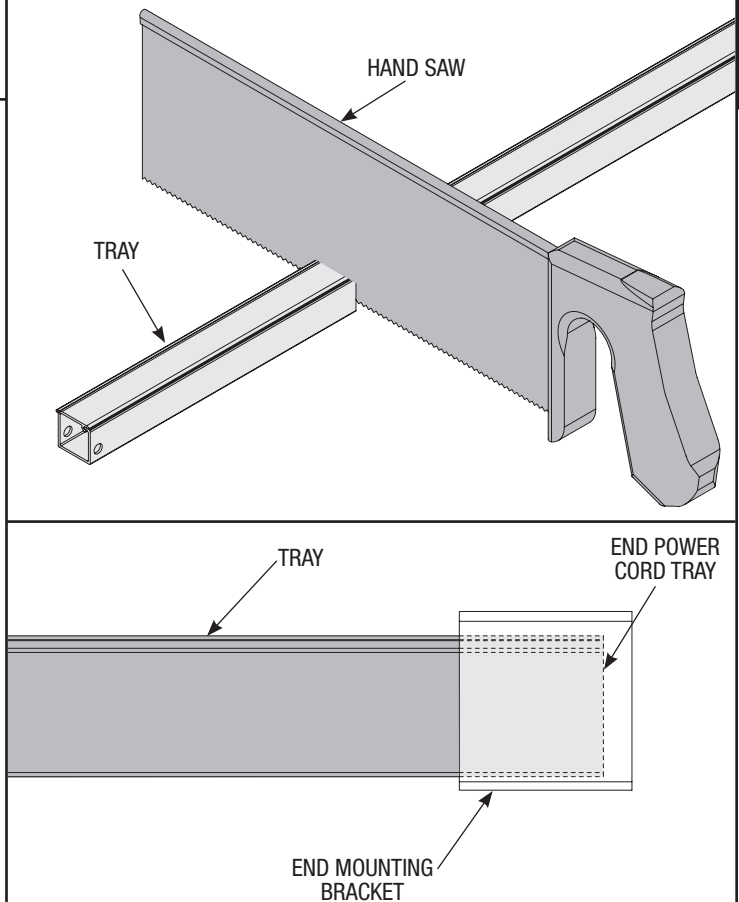
**IMPORTANT:** THE ENDS OF THE POWER CORD TRAY SECTION(S) MUST BE SUPPORTED WITH THE MOUNTING BRACKETS SECURED TO THE WOODEN FRAMING MEMBERS.

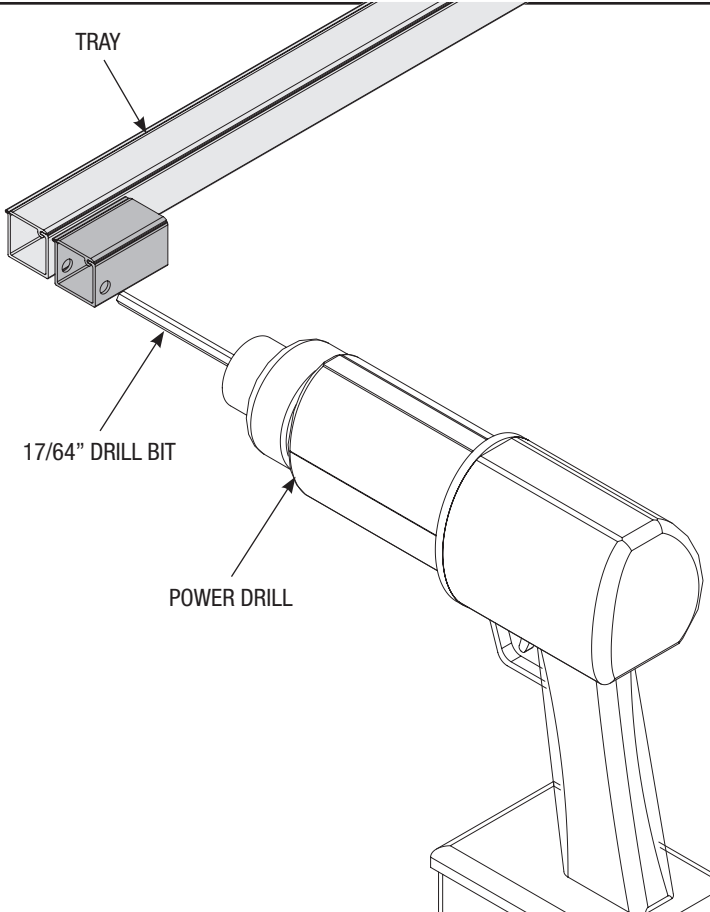
If necessary, the power cord tray can be shortened in cases where the section length exceeds the location of the mounting brackets. To trim the power cord tray, close and snap the power cord tray.

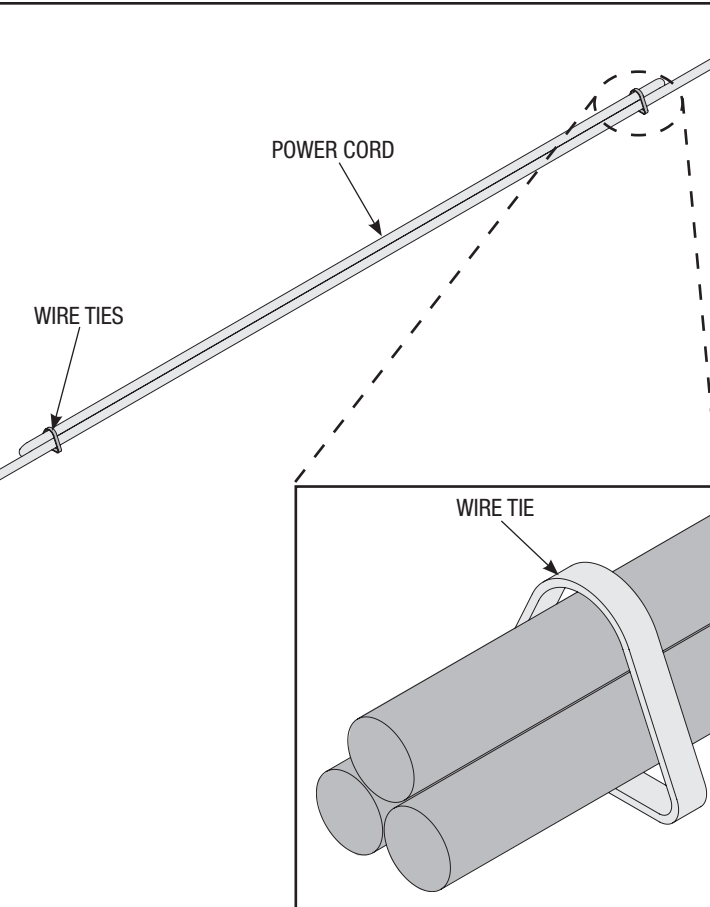
**IMPORTANT:** DO NOT ATTEMPT TO CUT TRAY WITH POWER CORD INSIDE.

Using a saw, cut the section to the required length.

**IMPORTANT:** THE TOTAL LENGTH OF THE POWER CORD TRAY ASSEMBLY MUST BE NO LESS THAN 6 FEET IN LENGTH.



	<p align="center"><b>Tray Length Continued...</b></p>	 <p>TRAY</p> <p>17/64" DRILL BIT</p> <p>POWER DRILL</p>
<p>Tools Needed:</p>	<p>If the section has been cut, use the piece that was cut off as a template for drilling a new set of 17/64" strain relief holder holes. Align the edge of the section with the piece that was removed as shown. Drill a new set of 17/64" strain relief holder holes.</p>	

<p align="center"><b>5</b></p>	<p align="center"><b>Arranging Power Cord</b></p>	 <p>POWER CORD</p> <p>WIRE TIES</p> <p>WIRE TIE</p>
<p>Tools Needed:</p> <p>Pliers</p>	<p>Before mounting all power cord tray sections, determine the overall length of power cord required to complete the installation. Excess power cord can be accumulated inside the power cord tray. Leave enough power cord outside the completed power cord tray (6 ft. maximum) to plug into the opener's power cord.</p> <p><b>NOTE:</b> Locate excess power cord as near middle of tray section(s) as practical. Do not accumulate in the ends of the tray assembly.</p> <p>Attach wire ties around the ends of the excess power cord to compress cable bundle and insert the power cord into the power cord tray.</p>	

# 6

## Power Cord Preparation

Tools Needed:  
Pliers

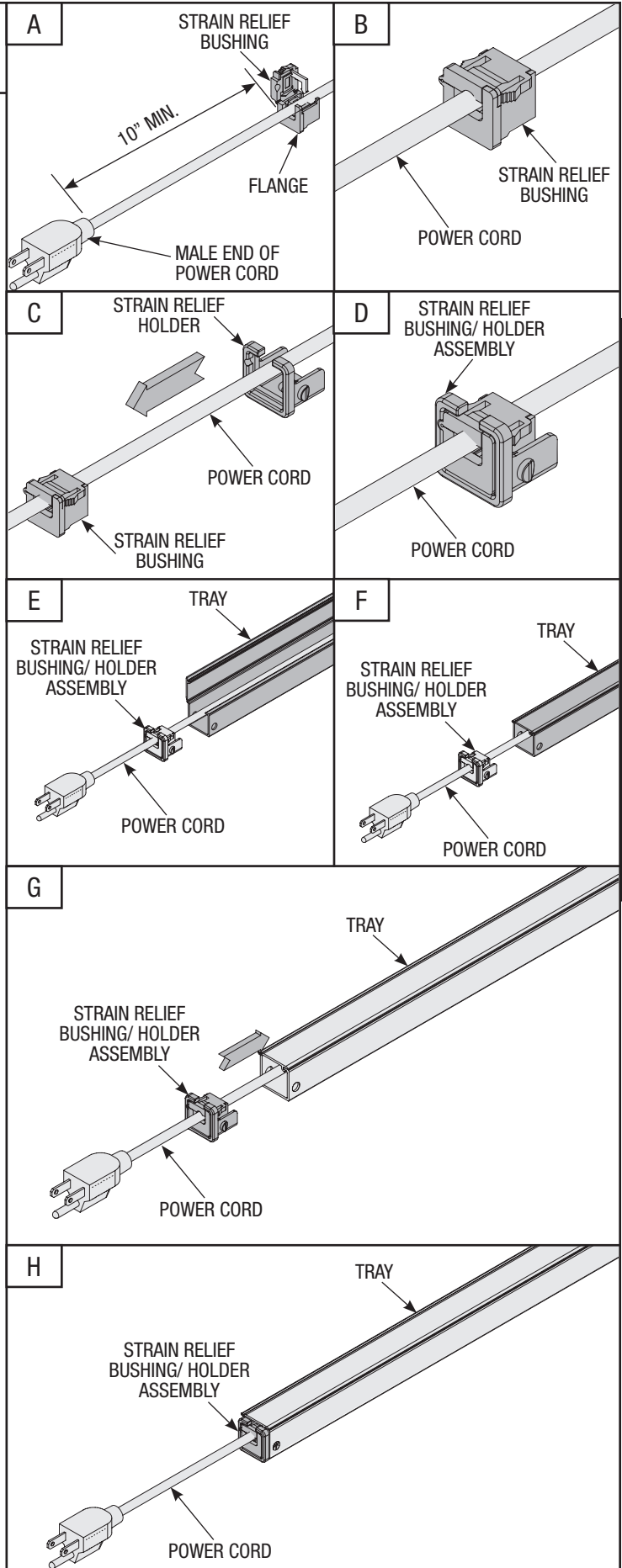
Starting on the male end of the power cord, determine and mark the amount of power cord required to make the connection between the power receptacle and the end of the power cord tray (10" minimum) (See Fig. A).

Using pliers, snap the strain relief bushing around the power cord, so that the flange is towards the male end of the power cord. (See Fig. A) Then, slide the strain relief bushing into the strain relief holder until it snaps in place. (See Fig. C & D)

**NOTE:** The end of the power cord tray with the strain relief bushing/holder will correspond to the mounting bracket closest to the power receptacle.

Insert the power cord into the power cord tray and close the cover until it snaps into place. (See Fig. E & F)

Insert the strain relief bushing/holder assembly into the power cord tray until the pegs snap into the mounting holes (See Fig. G & H).



INSTALLATION

# 7

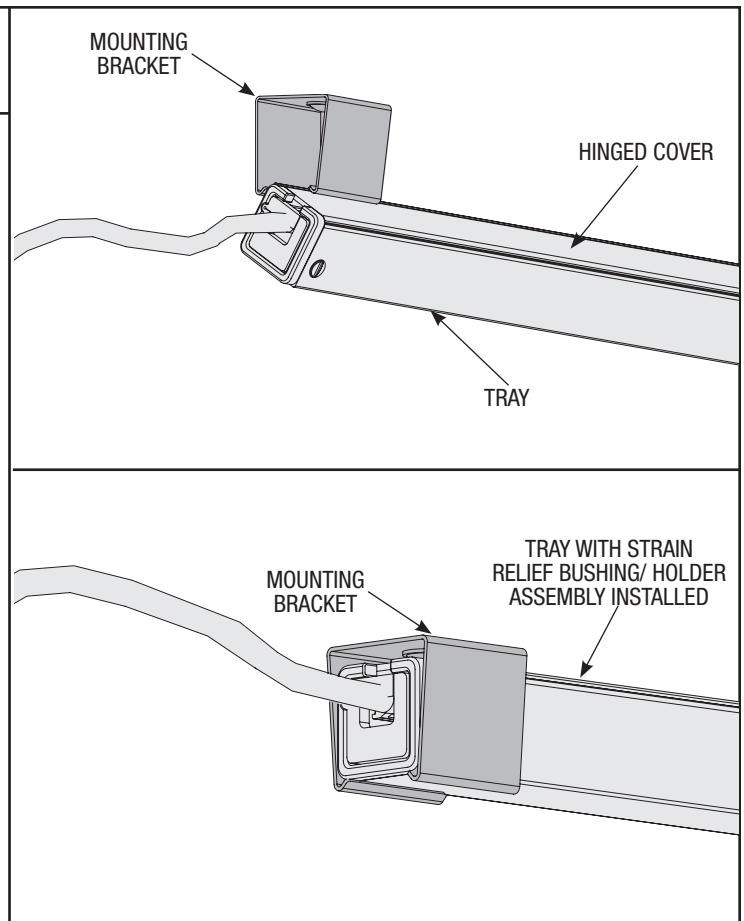
## Mounting the Power Cord Tray

### Tools Needed:

Angle the hinged portion of the power cord tray underneath the mounting bracket leg(s) as shown. Rotate and push upwards until the power cord tray snaps into the mounting bracket(s).

**NOTE:** The cover section of the power cord tray will face the ceiling.

Model 3961S, proceed to step 10.



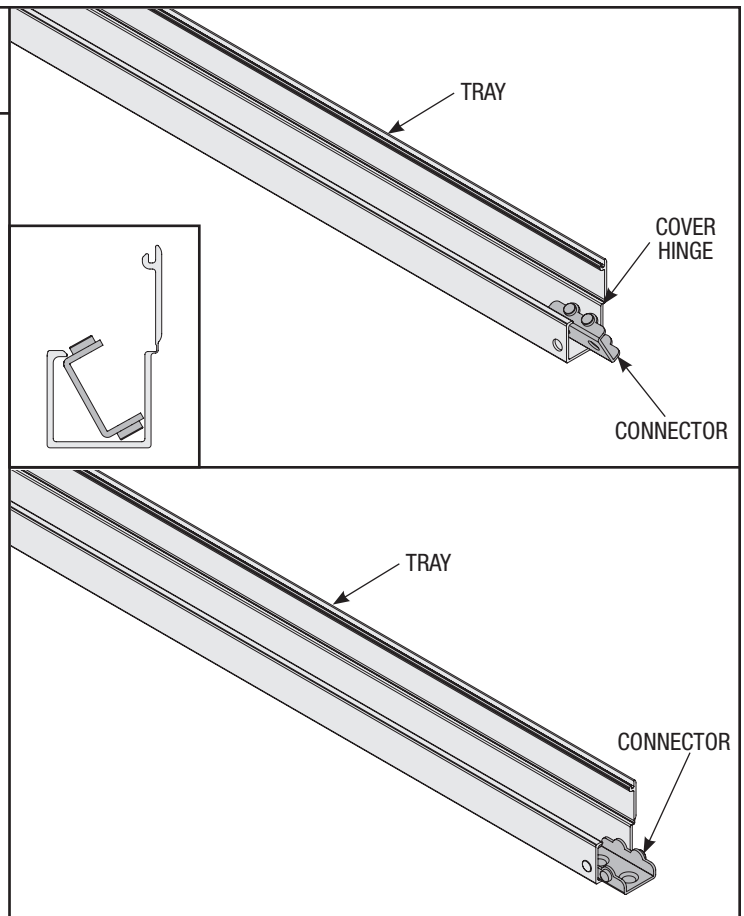
# 8

## Power Cord Tray Section Assembly

### Tools Needed:

Open the 24" power cord tray covers. Insert a power cord tray connector at an angle and rotate until the pegs snap into the mounting holes. Repeat this step so that there is one connector in four of the five power cord trays.

**NOTE:** Looking into the power cord tray, snap the power cord tray connectors on the end where the cover hinge is to the right.



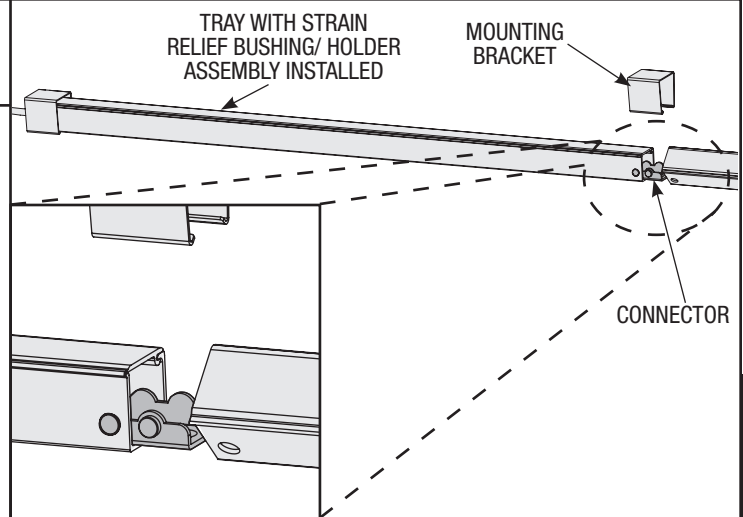
# 9

## Attaching Sections

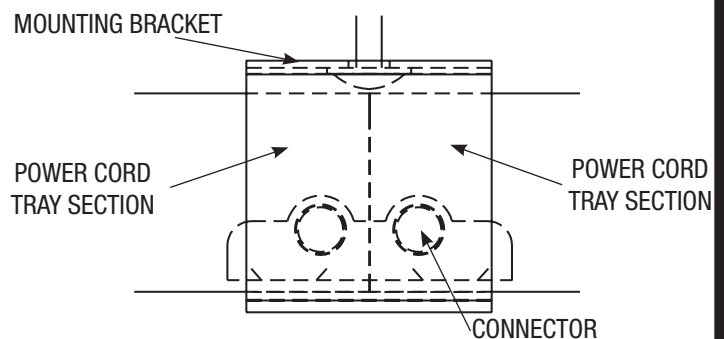
Tools Needed:

Insert the dangling end of the power cord into the next tray section. Ensure power cord tray section profiles are matched, so that the hinge is on the same corner on all sections.

Close the power cord tray cover. Attach tray section to the connector of the previously mounted section. Rotate the power cord tray section until the pegs snap into the mounting holes. Snap the section joint into the ceiling mounting bracket.



Power cord tray sections must meet at mounting bracket locations.



# 10

## Power Cord Finishing

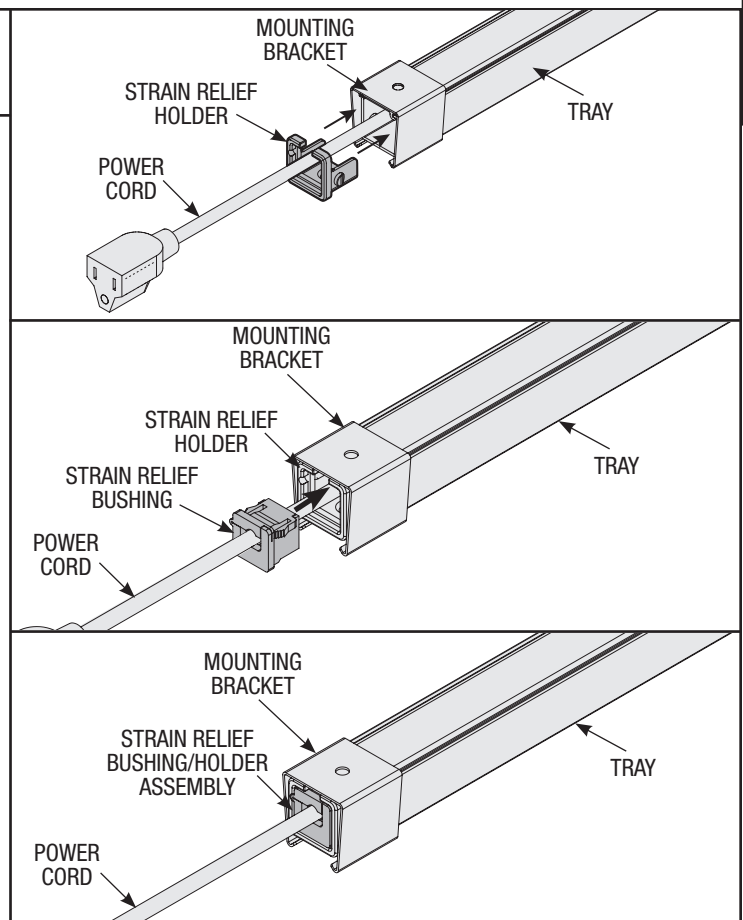
Tools Needed:

Pliers

After power cord tray section(s) are installed, insert the second strain relief holder into the open end of the power cord tray. Using pliers, snap the strain relief bushing around the power cord where it exits the power cord tray.

**NOTE:** Make sure the strain relief bushing is fastened as close to the power cord tray as possible.

Slide the strain relief bushing into the strain relief holder until it snaps into place.



# 11

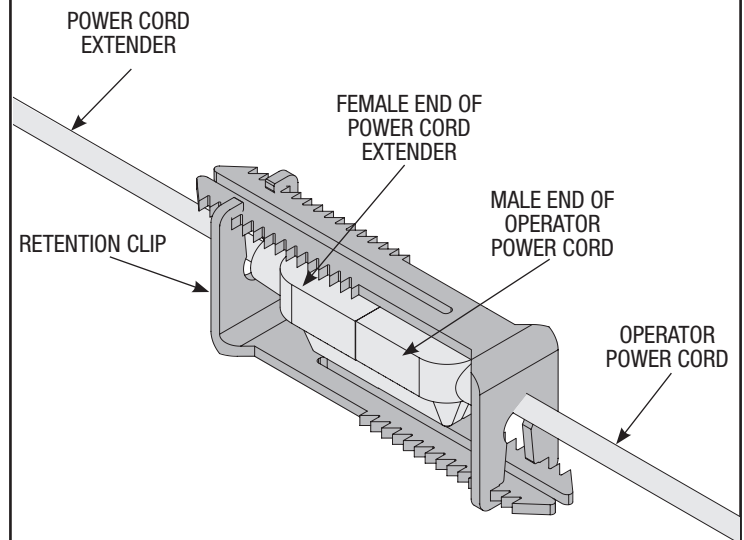
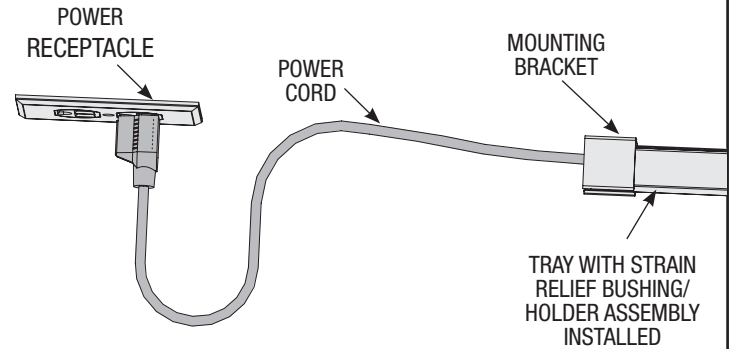
## Electrical Connections

Tools Needed:

### **⚠ WARNING**

TO REDUCE THE RISK OF ELECTRICAL SHOCK, THIS EQUIPMENT HAS A GROUNDING TYPE PLUG WHICH HAS A THIRD (GROUNDING) PIN. THIS PLUG WILL ONLY FIT INTO A GROUNDING TYPE RECEPTACLE. IF THE PLUG DOES NOT FIT INTO THE RECEPTACLE, CONTACT A QUALIFIED ELECTRICIAN TO INSTALL THE PROPER RECEPTACLE. DO NOT CHANGE THE PLUG IN ANY WAY.

Plug the female end of the power cord extender into the male end (plug) of the power cord of the garage door opener. Assemble the retention clip to the extender-to-opener cord connection and adjust ratcheting slide until clip is snug against ends of connection. Plug the male end of the power cord extender into the ceiling mounted power receptacle. The power cord must be routed and contained safely away from any moving parts.



# 12

## Power Cord Extender Disassembly

Tools Needed:

To disassemble the power cord extender, reverse installation procedure starting from step 11 and ending on step 1.

**idrive<sup>®</sup>**  
**Power Cord Extender**  
**Models: 3960M, 3961S**  
**90-DAY LIMITED WARRANTY**

The Manufacturer warrants that the Power Cord Extender will be free from defects in materials and workmanship for a period of **NINETY DAYS** from the date of installation, provided it is properly maintained and cared for under normal use and service.

This Warranty extends only to the original homeowner, providing the Power Cord Extender is installed in his/her place of primary residence. It is not transferable. The warranty applies to residential property only and is not valid on commercial or rental property.

**NO EMPLOYEE, DISTRIBUTOR, OR REPRESENTATIVE IS AUTHORIZED TO CHANGE THE FOREGOING WARRANTIES IN ANY WAY OR GRANT ANY OTHER WARRANTY ON BEHALF OF MANUFACTURER.**

The Manufacturer shall not be responsible for any damage resulting to or caused by its products by reason of installation, improper storage, unauthorized service, alteration of products, neglect or abuse, any acts of nature beyond Manufacturer's control (such as, but not limited to, lightning, power surges, water damage, etc.), or attempt to use the products for other than the customary usage or for their intended purposes. The above warranty does not cover normal wear or any damage beyond Manufacturer's control or replacement labor.

**THIS WARRANTY COVERS A CONSUMER PRODUCT AS DEFINED BY THE MAGNUSON-MOSS WARRANTY ACT. NO WARRANTIES, EXPRESSED OR IMPLIED, (INCLUDING, BUT NOT LIMITED TO, THE WARRANTY OF MERCHANTABILITY OR FITNESS FOR A PARTICULAR PURPOSE), SHALL EXTEND BEYOND THE APPLICABLE TIME PERIOD STATED IN BOLD FACE TYPE ABOVE.**

Claims for defects in material and workmanship covered by this warranty shall be made in writing, within the warranty period, to the dealer from whom the product was purchased. Manufacturer may either send a service representative or have the product returned to the Manufacturer at Buyer's expense for inspection. If judged by Manufacturer to be defective in material or workmanship, the product will be replaced or repaired at the option of the Manufacturer, free from all charges except authorized transportation and replacement labor.

**THE REMEDIES OF BUYER SET FORTH HEREIN ARE EXCLUSIVE AND ARE IN LIEU OF ALL OTHER REMEDIES, THE LIABILITY OF MANUFACTURER, WHETHER IN CONTACT, TORT, UNDER ANY WARRANTY OR OTHERWISE, SHALL NOT EXTEND BEYOND ITS OBLIGATION TO REPAIR OR REPLACE, AT ITS OPTION, ANY PRODUCT OR PART FOUND BY MANUFACTURER TO BE DEFECTIVE IN MATERIAL OR WORKMANSHIP. MANUFACTURER SHALL NOT BE RESPONSIBLE FOR ANY DIRECT, INDIRECT, SPECIAL OR CONSEQUENTIAL DAMAGES OF ANY NATURE.**

This Warranty gives you specific legal rights, and you may have other rights, which may vary from state to state. However, some states do not allow limitation on how long an implied warranty lasts or the exclusion or limitation of incidental or consequential damages so the above limitations or exclusions may not apply to you.

Questions??  
For quick answers and helpful advise, call  
Wayne-Dalton Customer Service  
(888) 827-3667

© Copyright 2003-2005 Wayne-Dalton Corp.

---

**Please Do Not Return This Product To The Store**

Call Us Directly! Our Trained Technicians Will Answer Your Questions  
and /or Ship Any Parts You May Need.

Call Us Toll-Free:  
**(888) 827-3667**

Thank you for your purchase

[www.wayne-dalton.com](http://www.wayne-dalton.com)