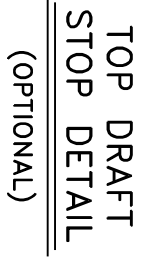
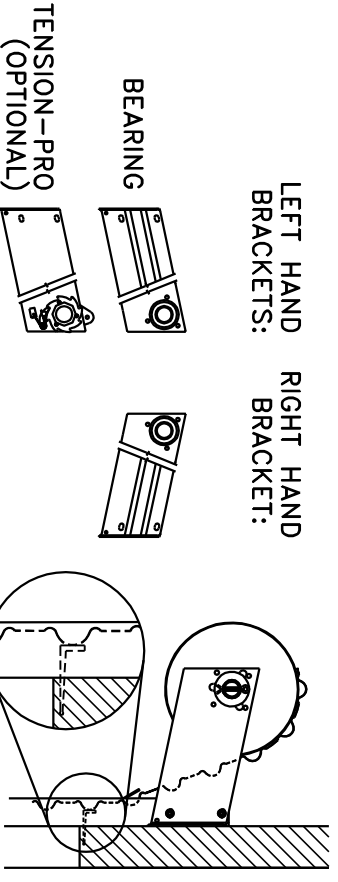
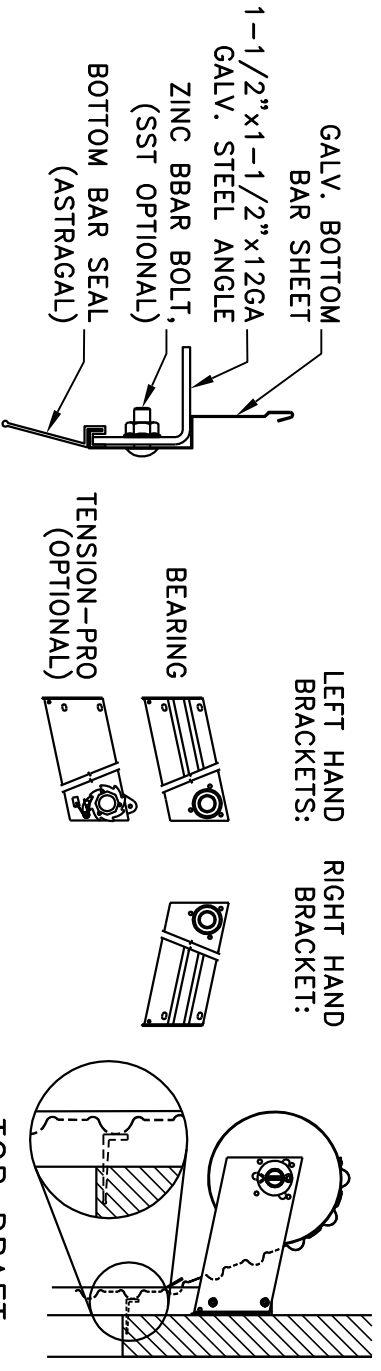


BRACKET TYPE	A
BEARING BRACKET	3-1/4"
TENSION-PRO BRACKET	4"

OPENING HEIGHT	B
UP TO 6'8" HIGH	16"
FROM 6'8-1/4" TO 8' HIGH	17"
OVER 8' HIGH	18"



- NOTES:
1. DOOR MODEL DS75I IS INSULATED DS-75
  2. WHEN USING LOCK BY OTHERS (LBO), STANDARD THROW SLIDE REQUIRED
  3. TOP DRAFT STOP OPTIONAL
  4. CURTAIN LOCK (CTL) HAND DETERMINED OUTSIDE LOOKING IN
  5. DIMENSIONS SHOWN ARE APPROXIMATE. SEE INSTALL MANUAL FOR EXACT COMPONENT LOCATION

SALES ORDER NUMBER	DOOR MODEL	QTY	EXACT OPENING SIZE		OUTSIDE CURTAIN COLOR	JAMB TYPE		LH BRACKET TYPE		LOCK OPTIONS			OPTIONAL TOP DRAFT STOP?	OPTIONAL HOOD?	OTHER OPTIONS
	DS75		DS75I	WIDTH		HEIGHT	MAS	STL	WOOD	BEARING	TENSION PRO	CTL	CTL	CTL	

PROJECT LOCATION		CONTACT		PHONE NUMBER		FAX NUMBER		DATE	
PROJECT NAME		CUSTOMER NUMBER		CUSTOMER NAME		PROJECT LOCATION		CONTACT	
PROJECT NAME		CUSTOMER NUMBER		CUSTOMER NAME		PROJECT LOCATION		CONTACT	

**DS-75 MINI ROLLUP DOOR**



Wayne Dalton  
Door & Systems Div.  
2589 County Rd 168  
Dundee, Ohio 44624

SIZE	DRAWING NO.	REVISION
B	035-0024	1