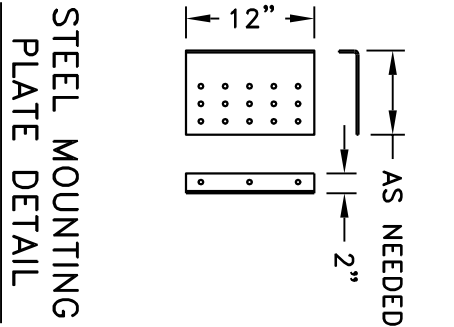
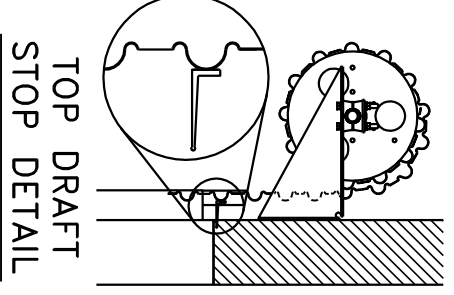
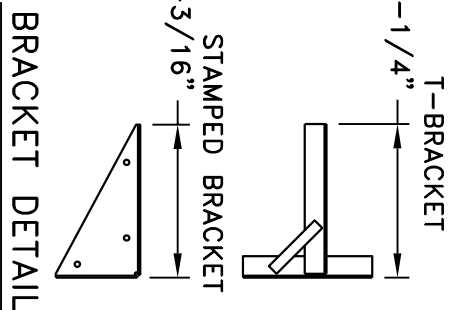
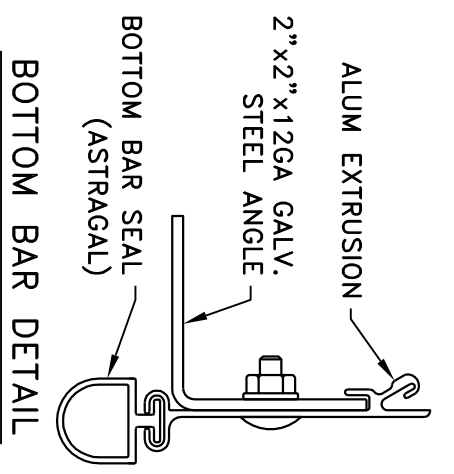
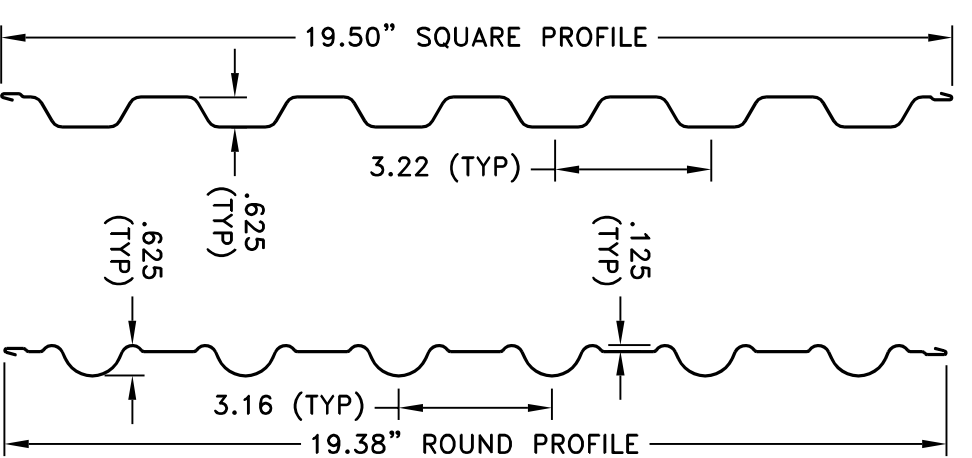
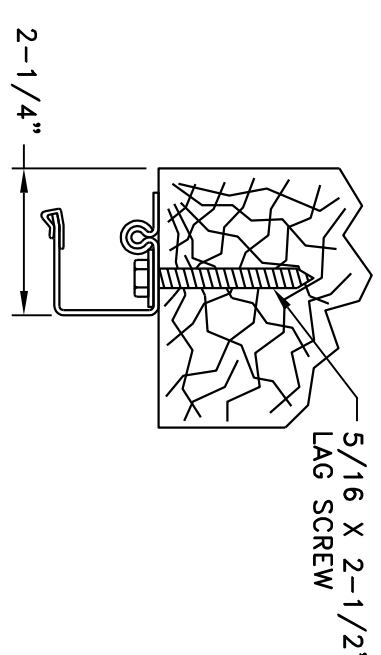
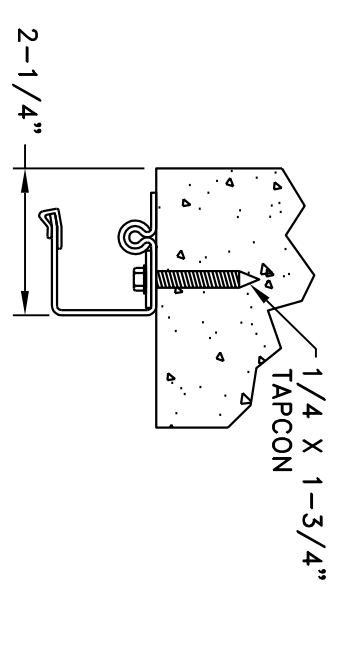
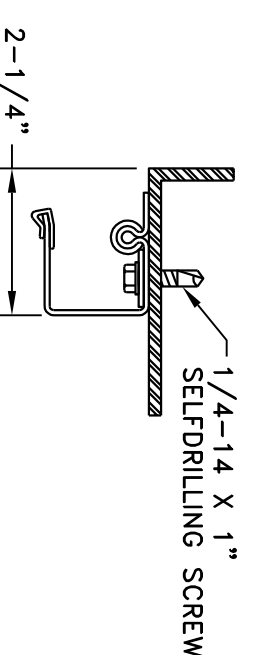
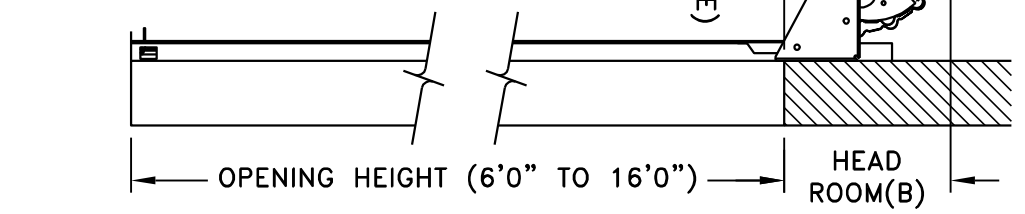


TYPICAL GUIDE FASTENER LOCATIONS



- NOTES:
1. DOOR MODEL DS2001 IS INSULATED DS-200
 2. WHEN USING LOCK BY OTHERS (LBO), STANDARD THROW SLIDE REQUIRED
 3. DOORS FOR OPENING SIZE GREATER THAN 10'-0" IN EITHER HEIGHT OR WIDTH USE T-BRACKET
 4. TOP DRAFT STOP OPTIONAL
 5. OPER. HAND DETERMINED INSIDE LOOKING OUT
 6. CURTAIN LOCK (CTL) HAND DETERMINED OUTSIDE LOOKING IN
 7. DIMENSIONS SHOWN ARE APPROXIMATE. SEE INSTALL MANUAL FOR EXACT COMPONENT LOCATION
 8. STD GUIDES SHOWN. CONSULT FACTORY IF HD GDS.

SALES ORDER NUMBER	DOOR MODEL	QTY	EXACT OPENING SIZE	OUTSIDE CURTAIN COLOR	JAMB TYPE	METHOD OF OPERATION	OPER. HAND	OPTIONAL HOOD?	LOCK OPTIONS			OTHER OPTIONS		
DS2001	DS2001		WIDTH HEIGHT		MAS STL WOOD	PUSH DIRECT UP CHAIN	REDUCED CHAIN	MOTOR		ISB BOTH	CTL RIGHT	CTL LEFT	CTL BOTH	LBO NONE

PROJECT LOCATION	CONTACT	PHONE NUMBER	FAX NUMBER
CUSTOMER NUMBER	PROJECT NAME	DATE	SIZE
DS-200 COMMERCIAL DOOR		035-0028	B
CUSTOMER NAME	REVISION	1	

METHOD OF OPERATION	A	OPENING HEIGHT	B	C
PUSH-UP	5"	6'-0" TO 8'-0"	17"	7"
DIRECT DRIVE CHAIN/MOTOR	9"	8'-1/4" TO 10'-0"	19"	8"
REDUCED DRIVE CHAIN	8"	10'-1/4" TO 16'-0"	21"	9"



Wayne Dalton
Door & Systems Div.
2589 County Rd 168
Dundee, Ohio 44624