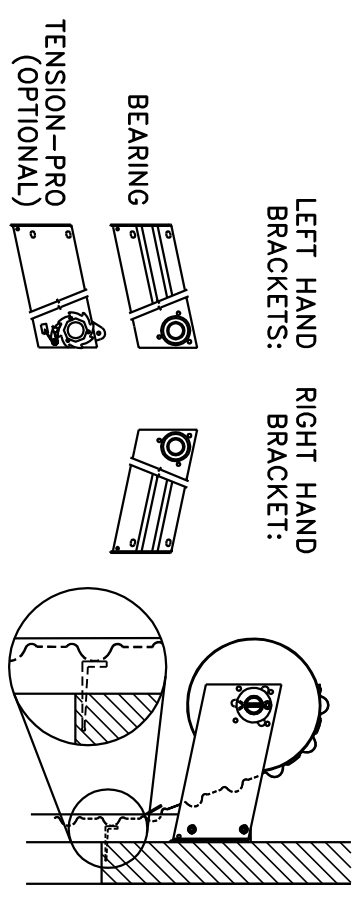
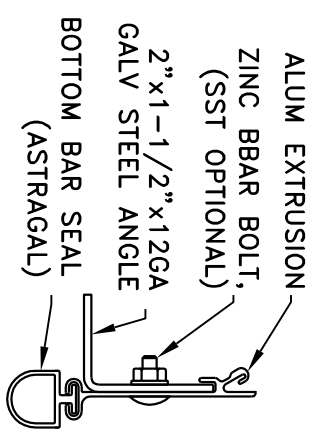


ALUM EXTRUSION
ZINC BBAR BOLT,
(SST OPTIONAL)
2"x1-1/2"x12GA
GALV STEEL ANGLE



BOTTOM BAR DETAIL
BRACKET DETAIL
TOP DRAFT STOP DETAIL (OPTIONAL)

- NOTES:
1. DOOR MODEL DS1001 IS INSULATED DS-100
 2. WHEN USING LOCK BY OTHERS (LBO), STANDARD THROW SLIDE REQUIRED
 3. TOP DRAFT STOP OPTIONAL
 4. CURTAIN LOCK (CTL) HAND DETERMINED OUTSIDE LOOKING IN
 5. DIMENSIONS SHOWN ARE APPROXIMATE. SEE INSTALL MANUAL FOR EXACT COMPONENT LOCATION

BRACKET TYPE	A
BEARING BRACKET	3-1/4"
TENSION-PRO BRACKET	4"

OPENING HEIGHT	B
UP TO 6'8" HIGH	16"
FROM 6'8-1/4" TO 8' HIGH	17"
OVER 8' HIGH	18"

SALES ORDER NUMBER	DOOR MODEL	QTY	EXACT OPENING SIZE	OUTSIDE CURTAIN COLOR	JAMB TYPE	LH BRACKET TYPE	LOCK OPTIONS	OPTIONAL TOP DRAFT STOP?	OPTIONAL HOOD?	OTHER OPTIONS
DS1001	DS1001		WIDTH/HEIGHT		MAS STL WOOD	BEARING TENSION PRO	ISB BOTH RIGHT LEFT BOTH			

DS-100 MINI ROLLUP DOOR

CUSTOMER NAME _____

CUSTOMER NUMBER _____

PROJECT NAME _____

PROJECT LOCATION _____

CONTACT _____

PHONE NUMBER _____

FAX NUMBER _____

DATE _____



SIZE	DRAWING NO.	REVISION
B	035-0026	1