

P.O. Box 67 Mt. Hope, OH., 44660 www.Wayne-Dalton.com

Tools Needed: REMOVE EXISTING ASTRAGAL:

Power Drill First, remove the existing astragal from the bottom section by removing the self drilling screws. Lightly pull the astragal off the bottom section and discard.
7/16" Socket Driver
Tape Measure

INSTALLING NEW ASTRAGAL:

Next, position the new astragal up against the bottom of the bottom section with the flexible front lip on the outside surface of the bottom section, see FIG. 1 and FIG. 3. From inside the door, attach the astragal to the bottom section with 1/4" - 20 x 7/8" self drilling screws, placing one 6" in from each end of the bottom section and one every 18" (maximum) in between, see FIG. 2.

Starting on either the left or right hand side on the outside of bottom section, cut away the rigid portion of the astragal so that it does not interfere with the endcap, see FIG. 3. Repeat for other side.

REPLACING THE ASTRAGAL:

Using a utility knife, slice both sides of the flexible bulb just below the bottom of rigid retainer, see FIG. 4. Discard the flexible bulb. Next follow the manufacture's installation instructions on how to install the replacement astragal into the rigid replacement channels.

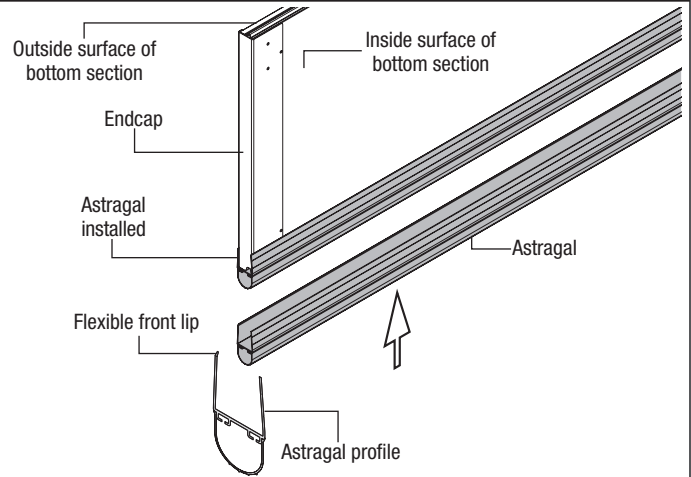


FIG. 1

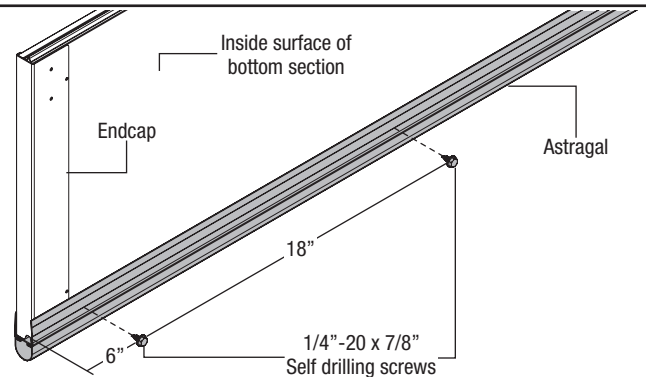


FIG. 2

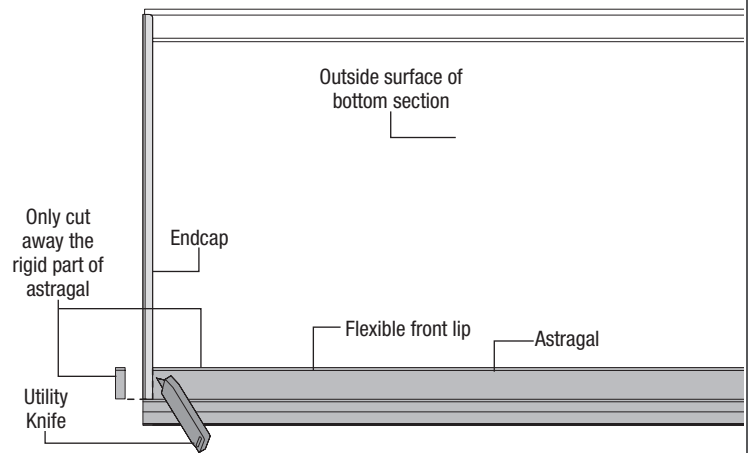


FIG. 3

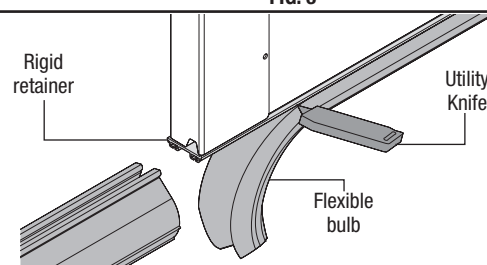


FIG. 3