

## Instructions for Installing the Fabric-Shield<sup>®</sup> Edge Reinforcement

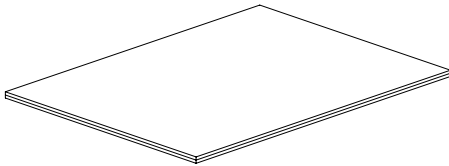
(Allows for OPTIONAL 3 sided or 4 sided attachment of the Storm Panel)

### FASTENERS AND WINGNUTS NOT INCLUDED

#### Edge Reinforcement Kit Contents

---

**1. (25) 3 x 4 inch Edge Reinforcement Panels**



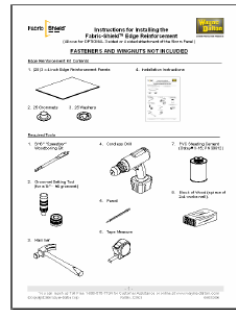
**2. 25 Grommets**



**3. 25 Washers**



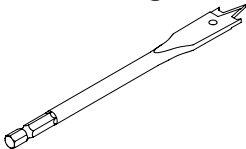
**4. Installation Instructions**



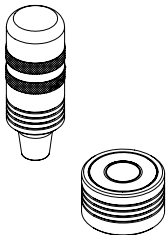
#### Required Tools

---

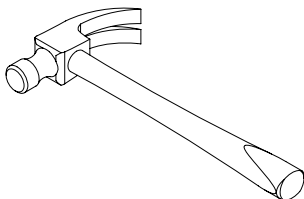
**1. 9/16" "Speedbor" Woodboring Bit**



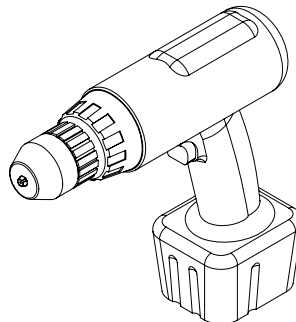
**2. Grommet Setting Tool (for a 1/2" - #4 grommet)**



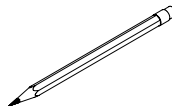
**3. Hammer**



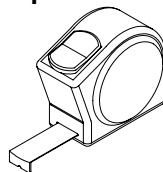
**4. Cordless Drill**



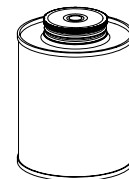
**5. Pencil**



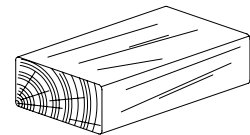
**6. Tape Measure**



**7. PVC Sheeting Cement (Oatey<sup>®</sup> X-15; PN 30812)**

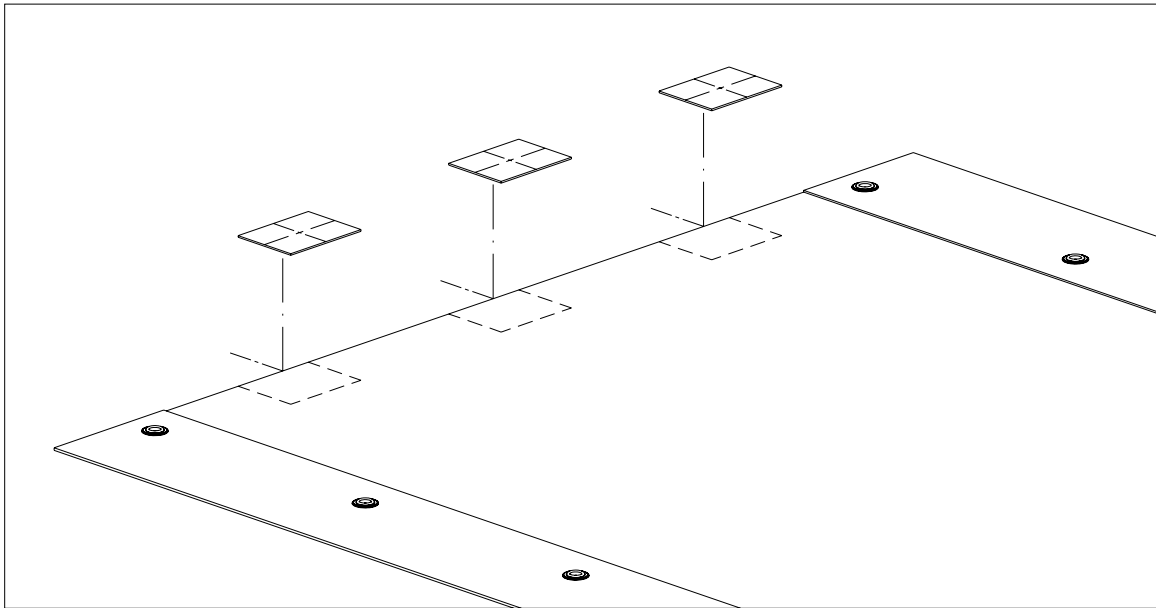


**8. Block of Wood (a piece of 2x4 works well).**



**PROCEDURE:**

1. Download the specific engineering drawings for your application from the Wayne Dalton website. Go to:
  - [www.wayne-dalton.com](http://www.wayne-dalton.com)
  - Fabric-Shield®
  - Manuals and Specifications
  - Storm Curtain Specifications/Technical Documents
    - Select either the Custom Panel or the DIY Panel Engineering Document
2. Lay the curtain out flat in a clean well ventilated area (preferably in the shade).
3. Refer to the Engineering Document to determine the grommet or anchor spacing for the fastener you will be using.
4. Using a tape measure and pencil, mark the center of each edge reinforcement panel. Lay out and mark the grommet or anchor spacing from the center of each edge reinforcement panel (see Figure 1).



**Figure 1**

5. Mark the center of each edge reinforcement panel (1-1/2" and 2" from the outside edge) onto the curtain.
6. Align the center marks of the edge reinforcement panels with the marks on the outer edge of the curtain. Make an outline of the edge reinforcement panels on the curtain. This will help in applying the adhesive to the curtain.
7. Using the cement manufacturers instructions (OATEY X-15), coat both the edge reinforcement panels and the outlined areas on the curtain with the adhesive. Be sure to follow the instructions for coating thickness, pre-set time based on temperature, and cure time.
8. After the appropriate pre-set time, place the edge reinforcement panels on the curtain and apply pressure with a block of wood. Let the adhesive cure based on the instructions and working temperature at the time of bonding.

- To prevent drilling into your work surface, place a piece of scrap wood under the edge reinforcement panel and curtain. Drill a 9/16-inch hole in the edge reinforcement panel and curtain at each marked grommet position. (see Figure 2).

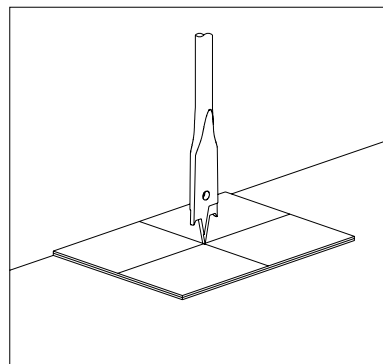


Figure 2

- Place a grommet up through the drilled hole and place the washer over the grommet (see Figure 3).

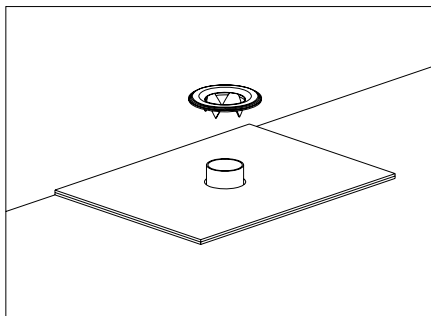


Figure 3

- Set the grommet using the grommet tools and a hammer. Several blows of the hammer will set the grommet (see Figure 4).

- Repeat this process to set the remaining grommets on the edge reinforcement.

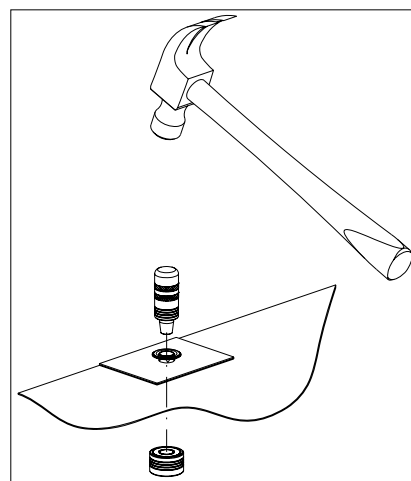


Figure 4

- Use the new grommet holes as templates to mark the fastener positions on the wall of the house (see Figure 5).

- Install the fasteners per the manufacturer's instructions.

- Place the storm curtain over the window, attaching and tightening all the wing nuts to properly secure the storm curtain.

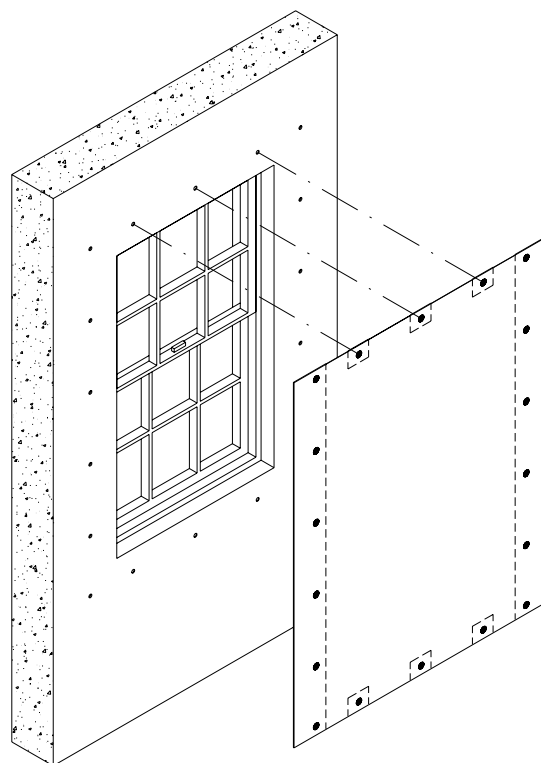


Figure 5

## WARNING

Hurricanes, tornadoes and other high wind events are capable of producing substantial destructive forces. Hurricane protection products, including Fabric-Shield®, will not withstand all foreseeable impacts and pressures. The use of hurricane protection products, including Fabric-Shield®, do not eliminate the risk of property damage, bodily injury or death during hurricanes, tornadoes and other high wind events. You should obey and follow all evacuation and safety related orders and recommendations issued by governmental authorities. If you are unable to evacuate, take shelter away from openings and outer walls in an interior hallway or room to reduce the likelihood of occupants being struck by flying debris entering the walls, roof or openings. Building permits are required in most localities for installation of hurricane protection products. Contact the local Building Department Authorities in your location to determine if you must obtain a permit before installing any hurricane protection product, including Fabric-Shield®.

Fabric-Shield® products are designed to reduce rapid internal pressurization that can contribute to structural collapse resulting from the loss of a window, door or other opening in the structure. Contact of the hurricane protection product with the element being protected (windows/doors), or pressure failures of existing openings resulting from hurricane force winds are common occurrences. Breaking of the glazing or failures of your elements being protected (windows/doors) due to hurricane force winds do not constitute a failure of the Fabric-Shield® system.

Proper installation of the Fabric-Shield® product is necessary to assure product performance. Every assembly and installation is different (windload, structural support, etc.). The purchaser and installer must determine that this product and its installation comply with all state and local building codes and requirements for hurricane protection devices for their particular location. The purchaser and installer should consult with the supplier of the hurricane protection product or an experienced contractor, architect or structural engineer prior to the assembly and installation of any Wayne-Dalton Corp. storm protection product. Installations must conform to engineering available from Wayne-Dalton Corp.'s website ([www.wayne-dalton.com](http://www.wayne-dalton.com)), the Texas Department of Insurance ([www.tdi.state.tx.us](http://www.tdi.state.tx.us)), or the Florida Building Code ([www.floridabuilding.org](http://www.floridabuilding.org)). The purchaser and installer are responsible for evaluating the structure's ability to support the superimposed loads and suitability of substructure receiving the fasteners for the storm protection product. Wayne-Dalton Corp. disclaims any responsibility for determining compliance with state and local building codes and requirements for the purchaser's location and the post-manufactured assembly and installation of Wayne-Dalton Corp. storm protection products.

### Definition of Symbol



Warning

### Installation Safety Instructions



**WARNING: INCORRECT INSTALLATION CAN LEAD TO SEVERE OR FATAL INJURY. FOLLOW THESE INSTRUCTIONS CAREFULLY.**



**WARNING: WAYNE-DALTON CORP. IS NOT RESPONSIBLE FOR DETERMINING COMPLIANCE OF THIS PRODUCT AND/OR ITS INSTALLATION WITH ANY CODES AND/OR REGULATIONS ENFORCED IN YOUR AREA.**

1. Before installing this product, **READ and FOLLOW all installation instructions** fully so you are aware of all of the functions and features.
2. Using ladders and/or scaffolding and working at elevated levels may be hazardous. Follow equipment manufacturer's instructions for safe operation. Use extreme caution when working around window and door openings. Falling from a ladder or an opening may result in severe or fatal injury.
3. Wear eye protection when using tools to install, repair, or adjust the product to prevent eye injuries. Improper use of hand/power tools could result in personal injury and/or product damage. Follow the manufacturer's instructions for safe operation of equipment.
4. Product should be installed prior to a storm. Always be aware of local forecasts.
5. Wind-borne debris may break glass. Stay away from glass during a storm.
6. Steel fasteners will corrode when used with ACQ Pressure Treated Lumber. Obtain and use the appropriate size stainless steel screws to fasten unit to any rough opening made from ACQ Pressure Treated Lumber. Failure to use stainless steel fasteners may result in fastener corrosion causing product failure.
7. Wear protective gloves when installing, repairing, or adjusting Fabric-Shield® products to avoid hand injuries.
8. Pay close attention to all warnings, notices, and notes in these instructions.
9. Openings covered with this product cannot be used for an escape exit.
10. Wayne-Dalton disclaims any responsibility for the use of any fasteners other than those shown on the Florida Building Commission product approvals.

**Fabric-Shield® is approved for use outside the High Velocity Hurricane Zone, defined as Miami-Dade and Broward counties by the Florida Building Code. Fabric-Shield® does qualify for use in Wind Zone IV (> 140 mph) as a Non-porous system.**